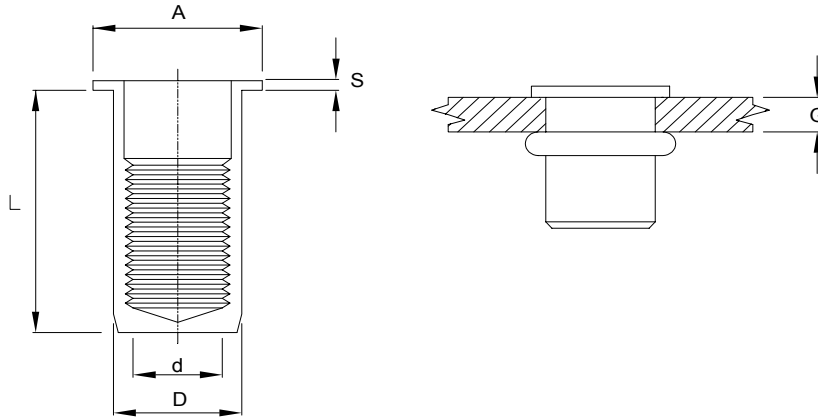


### Stainless Steel 304

**Large Flange**  
**Round Shank**  
**Closed End**



THREAD SIZE (d)	GRIP RANGE (G)		Drill hole (b) (+0.1)	PART NUMBER	BODY DIAMETER (D)	OVERALL LENGTH (L)	FLANGE DIAMETER (A)	LIP THICKNESS (S)
	min.	max.						
M4	0.5	2.0	6.0	G44 110	6.0	15.0	9.0	1.0
M5	0.5	3.0	7.0	G45 180	7.0	17.5	10.0	1.0
M6	0.5	3.0	9.0	G46 100	9.0	21.5	12.0	1.5
M8	0.5	3.0	11.0	G48 065	11.0	23.5	15.0	1.5

Dimensions in millimetres

**Other sizes available, please contact our Sales Engineers.**

### Gripwell Fastening & Engineering Pte Ltd

10 Upper Aljunied Link, #03-03, York Int'l. Bldg. Singapore 367904

Tel: (65) 6289 6011 Fax: (65) 6280 7877

Email : gripwell@singnet.com.sg

Website : <http://www.gripwell.com.sg>

#### Gripwell Malaysia:

##### Kuala Lumpur Office:

Email : gripwell@po.jaring.my

Tel: (603) 5511 3393 Fax: (603) 5511 3382

#### Gripwell Thailand:

##### Bangkok Office:

Email : gripwell@ksc.th.com

Tel: (662) 713 7612 Fax : (662) 719 5003

#### Gripwell Indonesia:

##### Jakarta Rep. Office

Email : gripwell@cbn.net.id

Tel: (6221) 588 2802 Fax: (6221) 588 2803