

GHG-TQA One Way Torque Hinge

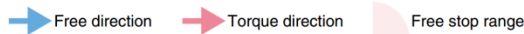
Features

- Friction in one direction only, allows for frictionless handling of the door in the opposite direction
- Stable torque
- High torque type with max. torque up to 9 N.m
- Sold in pairs
- Passed 30,000 life cycle test

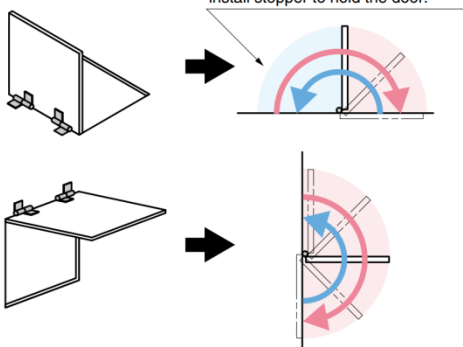
Notes

- Operating temperature: 0°C ~ 50°C
- Use the door at less than 80% of torque (7.2 N.m or lower)
- Torque will decrease at low temperature
- Not suited to vibration environment
- Hexalobular socket head screw (shown below as ©) may not be used for torque adjustment. Do not tighten or loosen.
- Install an external stopper to hold the door within the range where torque is not effective (refer to the lower left diagram for details)
- Install a catch to keep the door closed
- Install the torque unit (male) at the fixed side while the clutch unit (female) at the movable side
- Ensure hinge shafts are level and aligned during installation

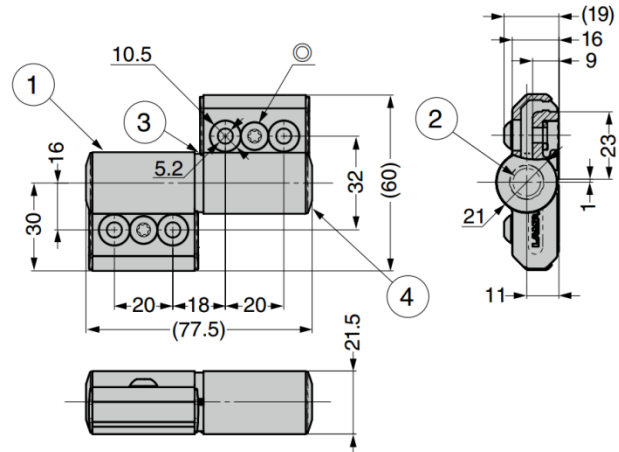
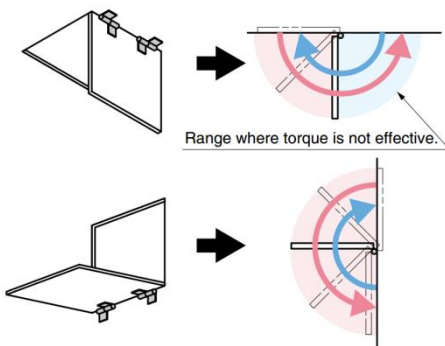
Torque and Free Stop Range



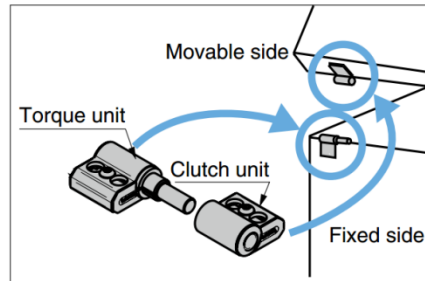
GHG-TQA90-A



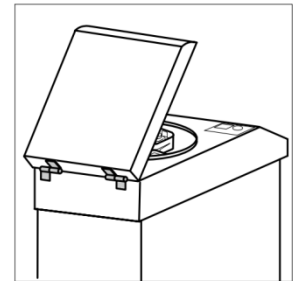
GHG-TQA90-B



Application Example



Installation



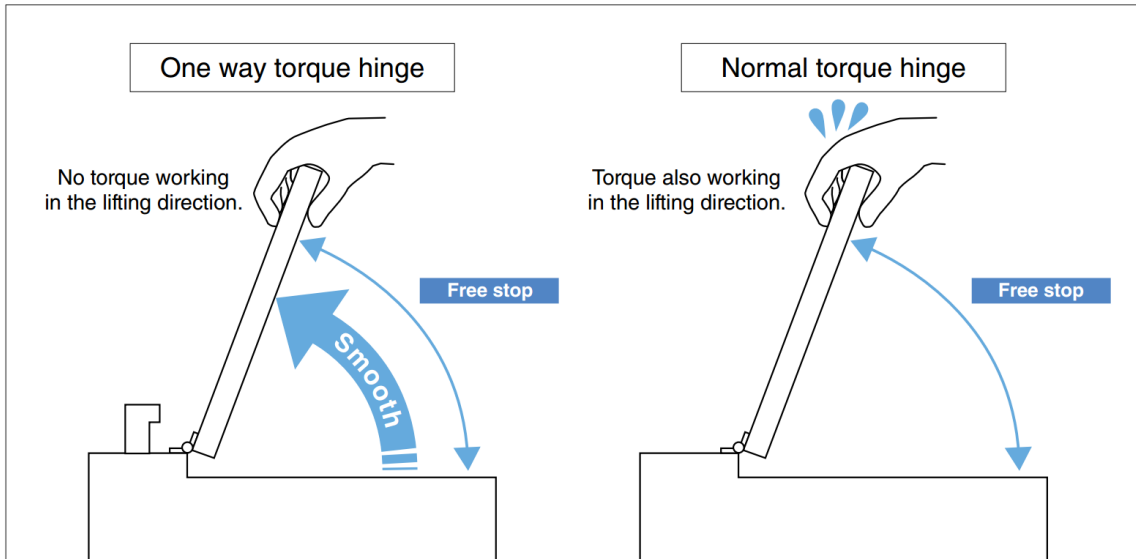
No.	Part Name	Material	Finish
①	Body	Aluminium Alloy	Anodised Silver
②	Shaft	Stainless Steel	Plain
③	Sleeve	POM	Black
④	Cover		

Part No.	Torque (per pair)	
GHG-TQA90-A	9.0 N.m ^{+40%} _{-20%}	91.8 kgf.cm ^{+40%} _{-20%}
GHG-TQA90-B		

One Way Torque Hinge

Free stop
+
Easy operation

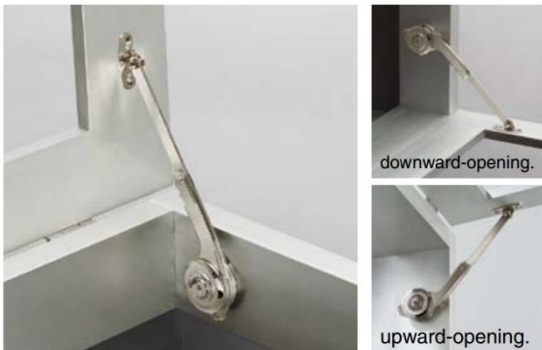
Friction in one direction only (free stop): Allows for frictionless handling of the door or lid in the opposite direction.



List of One Way Torque Hinges

Item Name	 <p>GHG-TQJ100</p>	 <p>GHG-TQA</p>
Torque N · m	0~10 (Adjustable)	9.0 ^{+40%} _{-20%}

Other One Way Torque Products



GS-TAR

One Way Free Stop Stay

- Torque stay for upward-opening, downward-opening and top-opening
- Friction in one direction only, provides smooth opening
- Torque adjustable with a hex key (included)
- Torque: 0 ~ 7 N.m (adjustable)

Contact Gripwell sales for more information and assistance