

## Flipper Plus Combi Setting Tool

Manual hand tool for both blind rivets & blind rivet nuts

### One Setting Tool - Two Functions

The Flipper Plus is a combi setting tool capable of installing both blind rivets and blind rivet nuts. A tool-free conversion from blind rivet to blind rivet nut setting tool is possible in under one minute with just a few simple steps.

### Shared Advantages

- New ratchet function
- The force increases when the handle is closed. This finding is put to good use in a special lever arrangement for setting blind rivets and blind rivet nuts: ergonomic design
- The required manual force is reduced by around 40 percent if actuated several times
- Actuation lever with an opening spring for easy single-handed operation

### Advantages When Setting Blind Rivets

- Jaw mechanism with spring reset for safe and automatic mandrel ejection
- Rivet mandrel collection container can be clipped to the body casing and is easy to empty
- Larger device lift: a benefit when handling extra long blind rivets

### Advantages When Setting Blind Rivet Nuts

- The total stroke is 16.2 millimetre long for setting of new generation multigrip blind rivet nuts like the GESIPA PolyGrip blind rivet nuts
- Simplified setting procedure for blind rivet nuts

### Converted in under 1 minute in just a few simple steps

#### 1. Removal

Remove the parts shown in the image



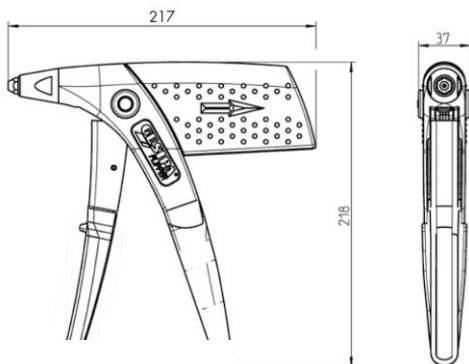
#### 2. Installation

Install the threaded mandrel and nosepiece



#### 3. Converted

Converted to a blind rivet nut setting tool



Dimensions in mm

For accessories options, contact Gripwell Sales for assistance



Part no: 157 1258

### Technical Data

<b>Weight</b>	: 750 g
<b>Total Length</b>	: 217 mm
<b>Total Stroke</b>	: 16.2 mm
<b>Single Action Stroke</b>	: 1.8 mm

### Placing Capability

- Blind rivets up to 5 mm Ø aluminium and 4 mm Ø steel and stainless steel
- Blind rivet nuts from M4 up to M6 aluminium as well as from M4 up to M5 steel

### Threaded Mandrel Conversion Kit & Nosepiece

Size ø	Material	Mandrel	Nosepiece	Part No.		
M4	Aluminium	12/M4	-	157 2926		
	Steel					
M5	Aluminium	12/M5	-	157 2927		
	Steel					
M6	Aluminium	12/M6	-	157 2929		
	Steel					
Check with Gripwell Sales	Aluminium	-	12/20	157 2920		
	Steel					
	Stainless Steel					
	Aluminium					
	Steel				12/24	157 2924
	Stainless Steel					
	Aluminium	-	12/29	157 2925		