

## 64-01 Push-to-Close Latch

Pull-to-open · Paddle latch · Miniature

### Features

- Single hole installation
- Concealed mounting
- Plastic slide

### Product Performance

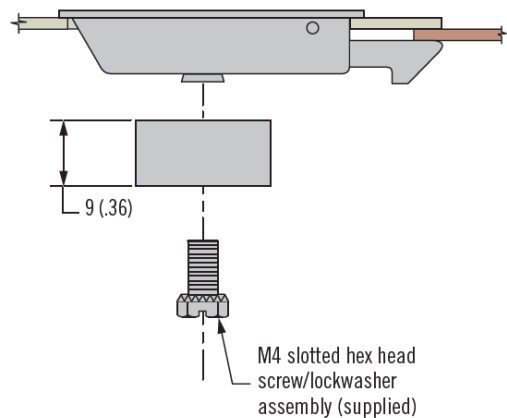
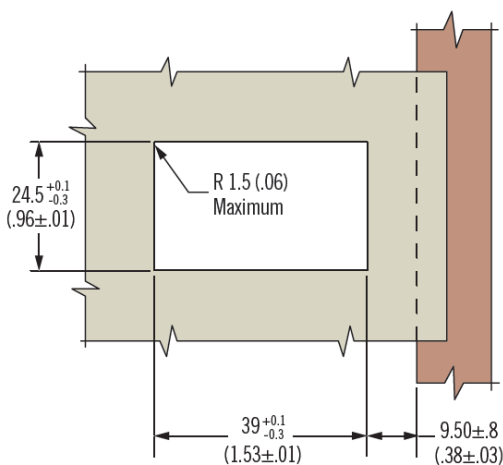
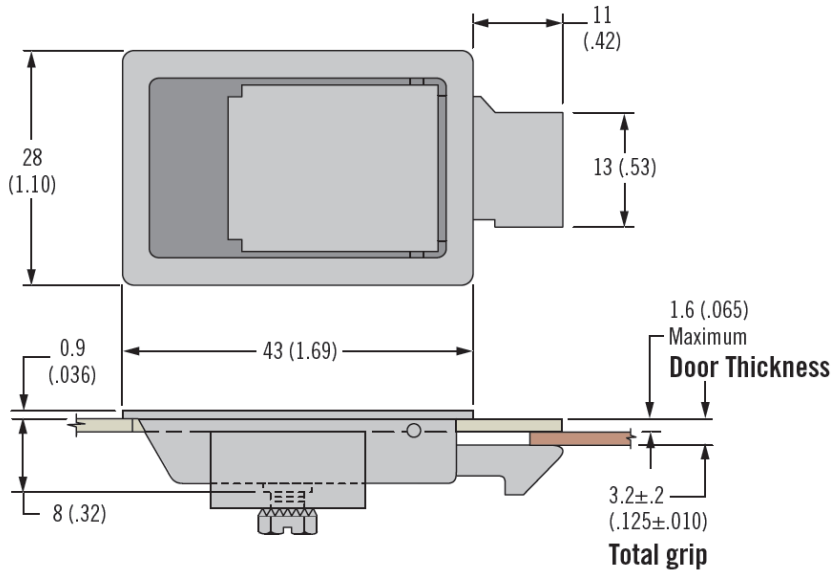
- Maximum working load: 90 N
- Operating temperature range: -18 °C to 100 °C
- Flammability rating: UL94-V0

### Material

- Stainless steel, passivated and brushed finish and glass-filled reinforced nylon, black

### Installation Notes

- Maximum tightening torque on mounting screws: 0.9 N.m



Part Number
64-01-10