

GHG-JV65 Soft Close Damper Hinge

For sideways opening swing door

Features

- Closing speed of door is adjustable with a hex key
- Comes with self-close function which can hold door closed
- Passed 50,000 open / close cycle test
- Screw covers included

Notes

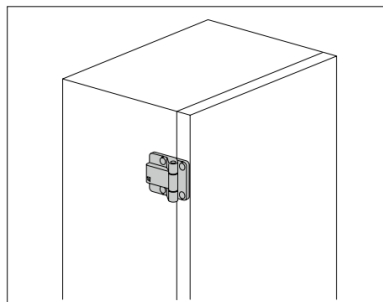
- Operating temperature: 0 - 40 °C
- To use with stoppers to prevent doors from opening over 180°

Recommended Screws

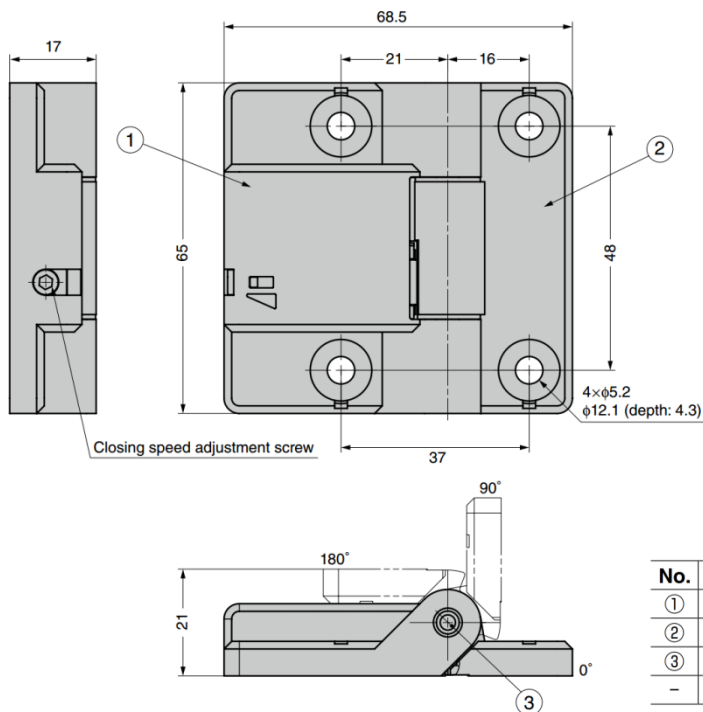
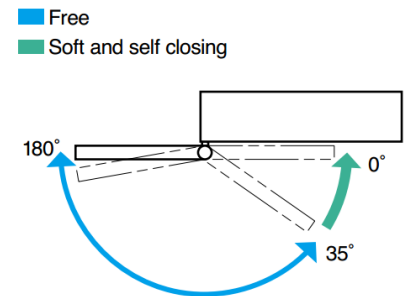
- For wood:
 - Binding head tapping screw M5
 - Pan head tapping screw M5
- For sheet metal:
 - Binding head screw M5
 - Pan head screw M5
 - Button bolt M5



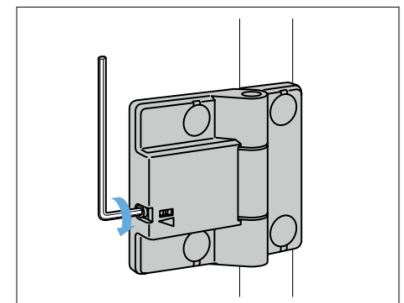
Installation



Operating Range



Closing Speed Adjustment



Closing speed of doors is adjustable with a hex key (size: 2.5)

No.	Part Name	Material	Finish/Colour
①	Body A	Polyamide (PA)	Black, Light Grey
②	Body B	Steel	
③	Shaft	Brass	Nickel
-	Screw Cover	Elastomer (SPE)	Black, Light Grey

Part No.	Finish	Recommended Door Specs			
		Width	Height	Weight / 2 pcs	Weight / 3 pcs
GHG-JV65-S-BL	Black	Max. 700	Max. 2400	1.0 ~ 7.0 kg	7.0 ~ 12.0 kg
GHG-JV65-S-LGR	Light Grey				