

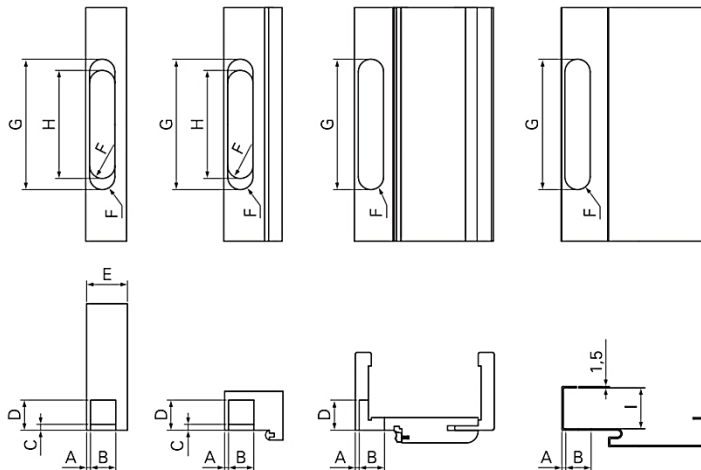
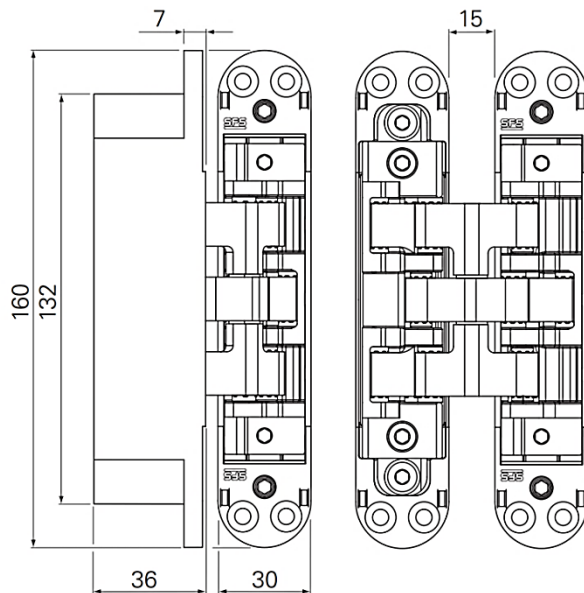
## W-Tec 3Df Concealed Hinge

Door weight (max 140kg with 2 pcs) or (max 160kg with 3 pcs)  
For fire doors

Designers require fire doors for modern and designer environments which combine both practical and visual requirements. This hinge has been awarded EI 1e2 60 certification

### Features

- Innovative hinge designed to resist the heavy loads of fire doors over time
- Independent adjustments possible by a single person, adjustable in height  $\pm 3\text{mm}$ , laterally  $\pm 3\text{mm}$  and gasket pressure  $\pm 1\text{mm}$
- Load capacity up to 160kg with 3 hinges
- Mainly used for extremely heavy doors and can be adjusted once fitted by just one person.



A	4
B	30
C	7
D	36
E	min. 38
F	15
G	160
H	132
I	min. 40

Part No.	Finish	Door Weight	
1481815	Matt Chrome	Max. 140 kg / 2 pcs	Max. 160 kg / 3 pcs

### Jig

Milling jig with insert



Part No.	Description
1272844	Milling Jig
1365131	Insert 1-2 for W-Tec 3D+100/160 (cutter $\varnothing 20$ and guide ring $\varnothing 30$ )
1365240	Insert 1-2 for W-Tec 3D+100/160 (cutter $\varnothing 16$ and guide ring $\varnothing 27$ )

### Kit

Kit reinforcing plate for cover frame



Part No.
1364662

### Support

Support for steel frame



Part No.
1365313

**CONCEALED HINGES**

