

FSL-V36 Adjustable Mount

Features

- Holds at any height on aluminium frames
- Cover prevents unintentional lock release
- Designed for use with the **FSL-L**, an aluminium frame, can also be used with aluminium frames that are over 40 mm in width
- Locking mechanism prevents only downward motion
- Can be installed to an aluminium frame that is already assembled
- A monitor can be mounted on the **FSL-V36** when used with the **FSL-MB**, an optional monitor-mounting bracket



Notes

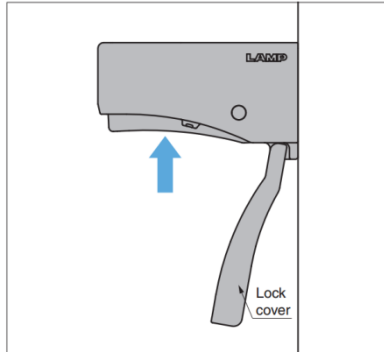
- Recommended to use one per frame
- Please use only for vertical sliding applications
- M5 screws recommended

Parts Included

- Hex bar spanner (nominal 2.5)

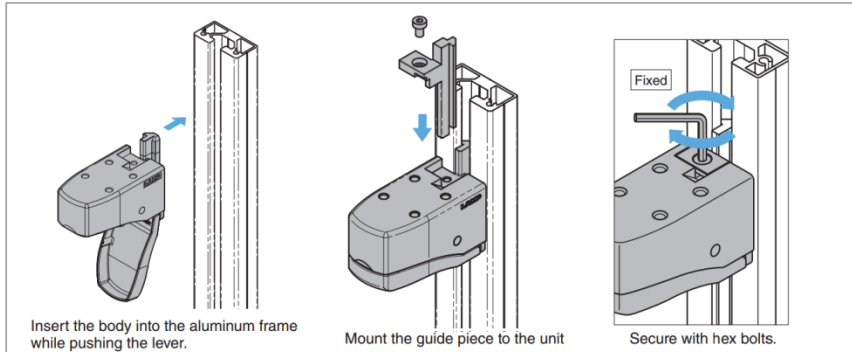
No.	Part Name	Material	Finish/Colour
①	Main Body	Zinc Alloy (ZDC)	Satin Chrome Plating
②	Guide Piece		
③	Lever		
④	Lock Cover	ABS Resin	White
⑤	Hexagonal socket cap low head bolt M4×6	Stainless Steel	Plain

Operation

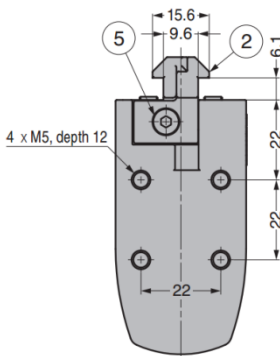


Open the cover and push the lever to move the unit up or down. The unit stops where the lever is released.

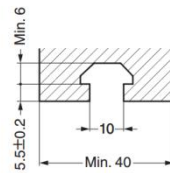
Installation



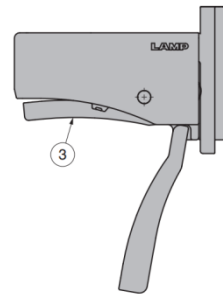
Can be installed to an aluminium frame that is already assembled. (see the instruction manual for details)



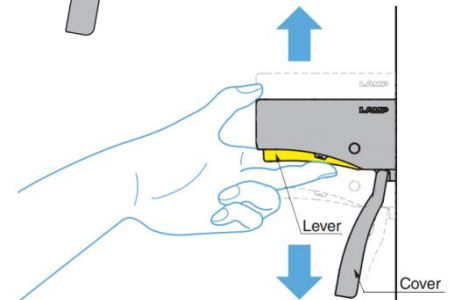
Mountable Aluminium Frame



When cover is opened



Holds at any height

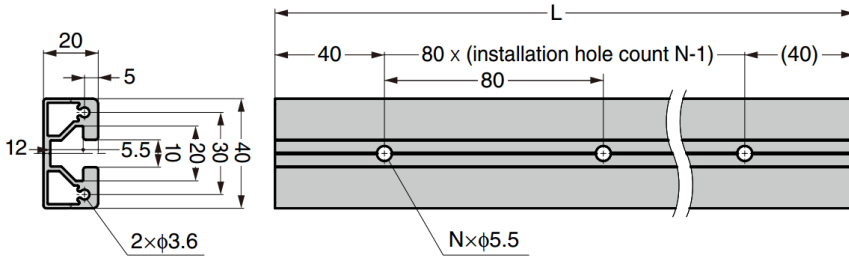


Part No.	Vertical Load Capacity		Allowable Moment	
FSL-V36	117 N	12 kg	20 N.m	204 kgf.cm

FSL-L Aluminium Frame

Features

- Fits *FSL-V36* Adjustable Mount



Part No.	L	Installation Hole Count N
FSL-L400	400	5
FSL-L800	800	10
FSL-L1200	1200	15
FSL-L2000	2000	25

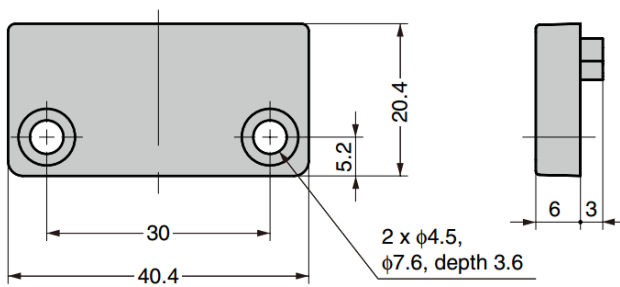
FSL-EC End Cap

Features

- End cap for the *FSL-L* Aluminium Frame

Parts Included

- Size 4 x 8 cross-recessed pan head tapping screws

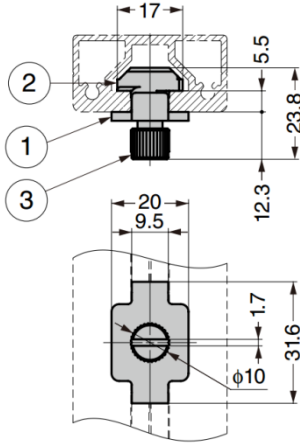


Part No.	Material	Colour
FSL-EC	ABS Resin	Grey

FSL-S4 Stopper

Features

- A stopper for the **FSL-L** Aluminium Frame
- Can also be used with aluminium frames of other brands that are over 40 mm in width



No.	Part Name	Material	Finish/Colour
①	Limit Stopper Unit	SPCC	Gloss Chromate Finish (Trivalent)
②	AS Nut	Stainless Steel (SUS316)	Barrel Polished
③	Knurled Knob	Free-Cut Brass	Chrome Plating



Part No.

FSL-S4

FSL-MB Monitor Mounting Bracket

Features

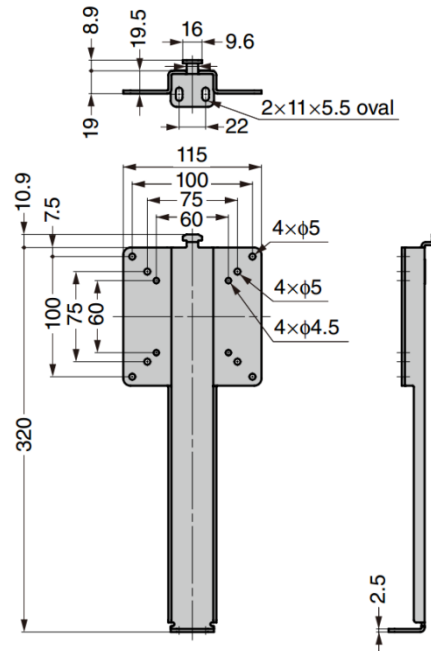
- Enables mounting of monitors with hole pitch compliant with the VESA standard (75x 75 mm, 100x 100 mm)
- The **KA-T100S50**, a monitor mount can also be mounted to the **FSL-V36**, an adjustable mount

Sold Separately

- **KA-T100S50**



Application with KA-T100S50



Part No.	Material	Finish / Colour
FSL-MB	Steel (SPCC)	Baked Enamel Finish / Black