

GHF Swivel

Features

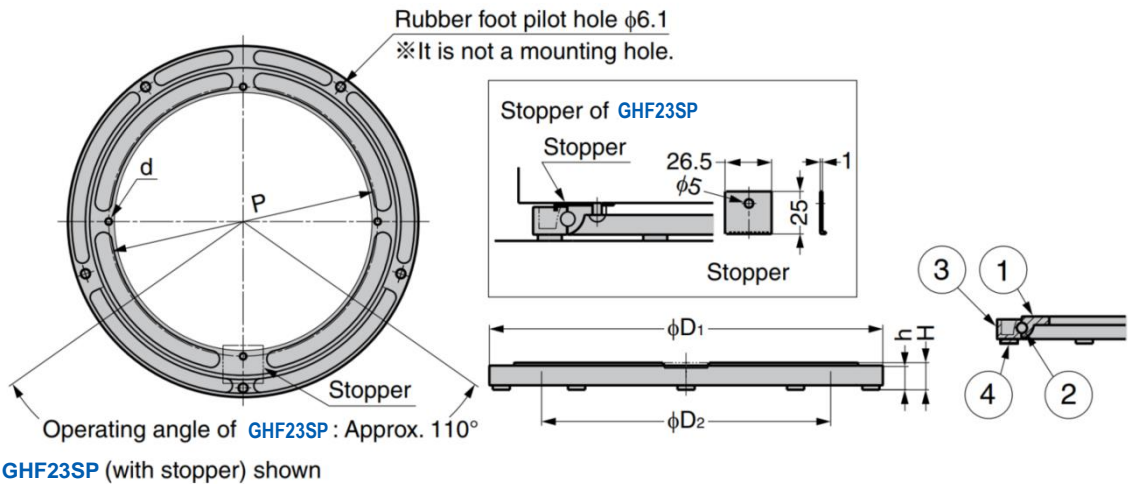
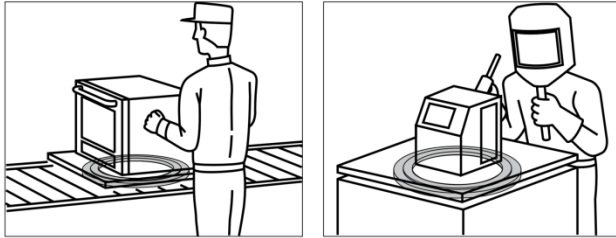
- 360° rotating swivel mechanism
- Suitable for applications including workbenches, equipment machinery, monitors, etc.
- Available in 4 sizes
- Model with rubber stopper prevents slipping

Notes

- Drawing below is **GHF23SP** (with stopper)
- Mounting hole pitch may vary, check against actual item



Application Example



GHF23SP (with stopper) shown

No.	Part Name	Material	Finish / Colour
①	Top Plate	Aluminium Alloy	As below
②	Balls	Steel	—
③	Base plate	Aluminium Alloy	As below
④	Leg	Rubber	White

Part No.	Stopper	Finish / Colour	D ₁	D ₂	P	H	h	d	Holes	Load Capacity (per piece)	
GHF23SP	With	Barrel Polished	230	166	176	16	15	Ø4.8	4	392 N	40 kg
GHF30	Without		327	265	275.5					588 N	60 kg
GHF45		Silver Enamel Finish	441	380	392	22	16.5	Ø4.8, Ø10	6	980 N	100 kg
GHF60			600	520	538	24	18.5	Ø4.8 Ø12		1960 N	200 kg