

## GMLG13 Multi-Roller Linear Slide

### Slim Type

#### Features

- Allows for smooth movement with a unique “multi-roller” mechanism
- Passed 300,000 cycle test (tested at 200 mm/s, round trips of 100 mm)
- Since there is no ball creep, it can be used together with a motor drive
- Slim type with a guide rail width of 13 mm
- Suitable for applications including medical equipment, food machine, point-of-service kiosks, and analytical instruments, etc.

#### Notes

- Guide rails with length up to 2000 mm available with custom order
- Please use with stoppers



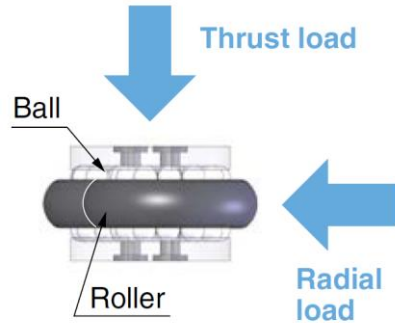
Multiple guide blocks can be used together in guide rail

#### Unique “Multi-Roller” Mechanism



#### No ball creep due to roller type mechanism

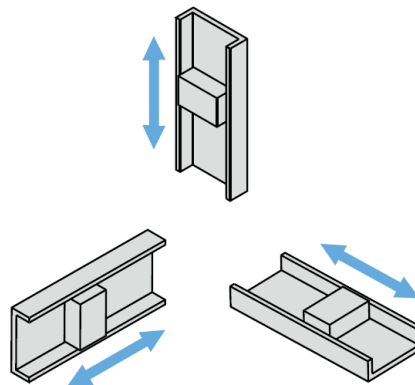
Ball creep is a phenomenon where travel distances vary between outward and return paths due to a misaligned ball contact point that may occur on ball type rails because of sliding or applied force. If extra load is applied in this state, the rail may become unable to move

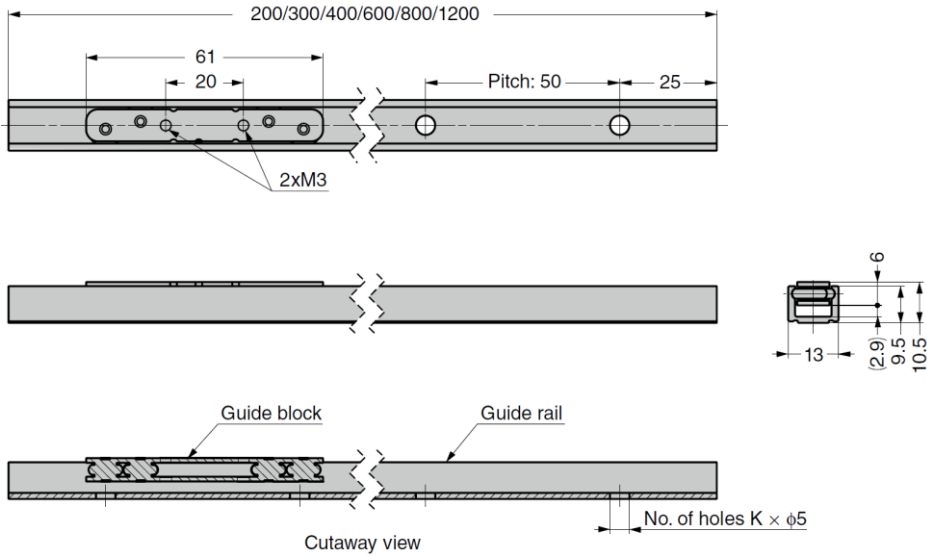


The multi-roller mechanism allows for smooth movement even with loads applied in radial or thrust directions.

#### Mounting Directions

Can be mounted in the following directions





### Rated Load Reference Values

The rated load refers to the limit load

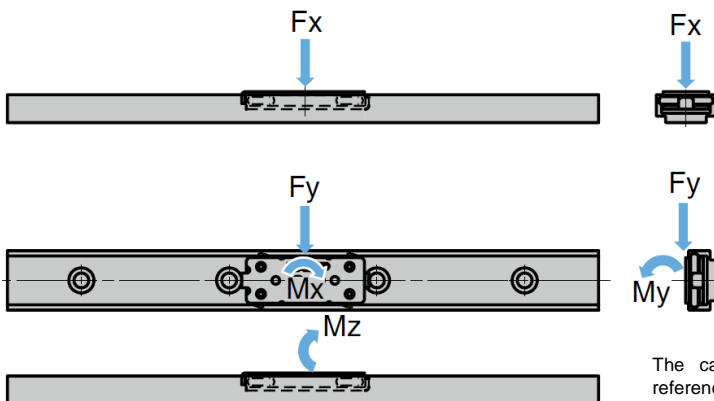
- Max. load = Static rated load × Static safety coefficient
- Operating load = Max. load × Dynamic safety coefficient
- Max. moment = Static rated moment × Static safety coefficient
- Operating moment = Max. moment × Dynamic safety coefficient

Use Conditions	Static Safety Coefficient	Dynamic Safety Coefficient
Low movement frequency with gentle movement	0.4 ~ 0.5	0.9 ~ 1.0
High movement frequency with smooth movement	0.3 ~ 0.4	0.6 ~ 0.8
High movement frequency with vibration or impact	0.2 ~ 0.3	0.3 ~ 0.5

Part No.	Horizontal Static Rated Load Fx		Vertical Static Rated Load Fy	
	N	kgf	N	kgf
GMLG-13C	40	4.0	40	4.0

Part No.	Vertical Static Rated Moment Mx		Horizontal Static Rated Moment My		Horizontal Static Rated Moment Mz	
	N.m	kgf.cm	N.m	kgf.cm	N.m	kgf.cm
GMLG-13C	1.0	10.2	0.2	2.0	1.2	12.2

Although the rollers of GMLG-13C are installed alternately, the rated load is the same even when it is mounted in reverse



The calculation formula above is for reference purpose only. Please confirm with the actual item before use

## GMLG13 Guide Rail

### Slim Type

#### Material

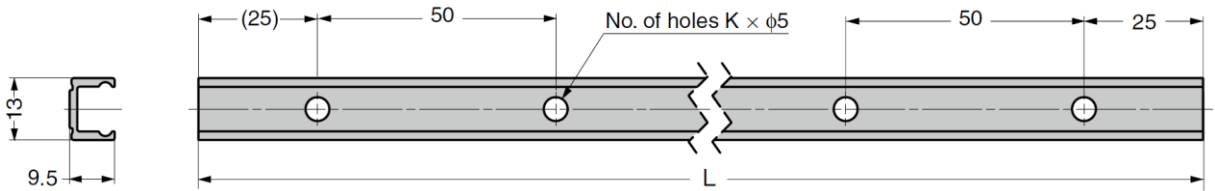
- Aluminium alloy, silver anodised

#### Notes

- The rail mounting holes and ends are uncoated

#### Recommended Screw

- Hexagon socket bolt M4 (head diameter: 7.6 mm or less, head height: 2.2 mm or less)



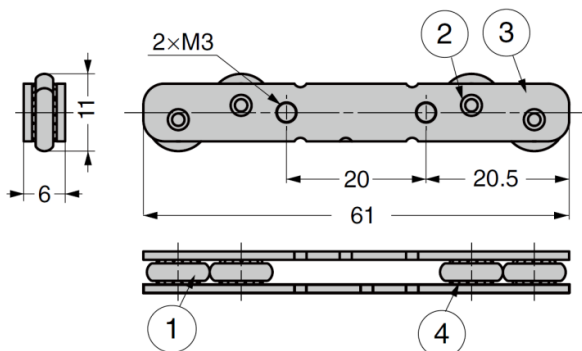
Part No.	Length (L)	No. of Holes (K)
GMLG13-200	200	4
GMLG13-300	300	6
GMLG13-400	400	8
GMLG13-600	600	12
GMLG13-800	800	16
GMLG13-1200	1200	24

## GMLG-13C Guide Block

### Slim Type

#### Recommended Screw

- Screw M3 (Max length: sheet thickness + 4mm)



No.	Part Name	Material
①	Roller	Polyacetal (POM)
②	Pin	Stainless Steel (SUS303)
③	Plate	Stainless Steel (SUS304)
④	Ball	Steel (SUJ)

Part No.
GMLG-13C