

## GMC-YN015S Stainless Steel Ultra Thin Magnetic Catch

### Features

- Ultra thin magnetic catch of 2.2 mm thick ideal for tight space
- Anti rust: made of stainless steel and acrylic resin coated magnet
- Small body with strong magnetic force by using neodymium magnet
- Available for purchase as single magnetic catch only or as a set including magnetic catch, counter plate and screws
- Installation with rivet is possible

### Notes

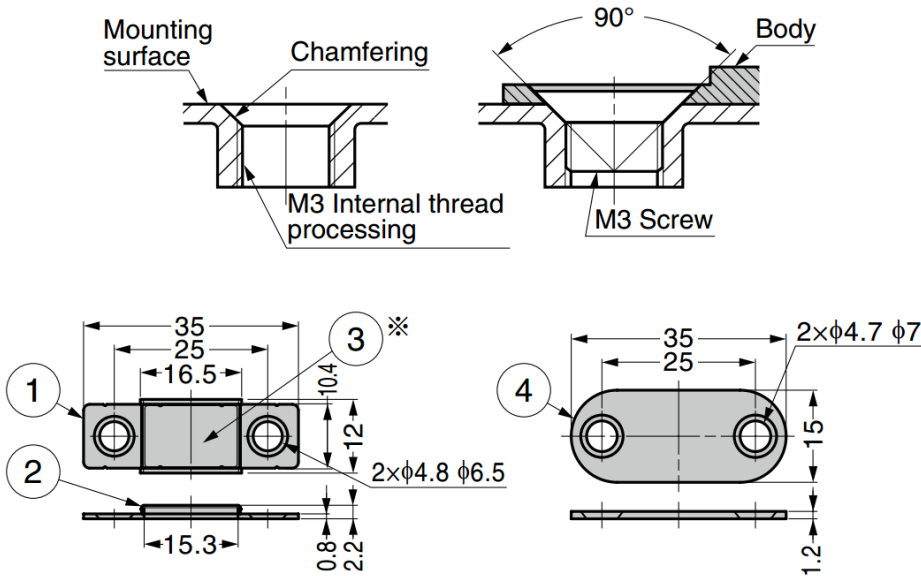
- Rust may occur when using in direct water exposure or high temperature and high humidity environment
- Max. temperature: 80°C
- Counter plate should be in contact with the yokes on both sides and should not be in contact directly with the cover. Direct contact may break the magnet.
- Recommended to chamfer the mounting surface for screws and rivets installation. This ensures minimal projection when the body is fixed (refer to "Cut Out Dimensions and Installation Example")
- Recommended screws: Countersunk head screw M3 or countersunk head wood screw nominal 3.1



### Parts Included

- For **GMC-YN015SP** only:
  - Counter plate
  - Countersunk head tapping screw 3×14 (SUS)

### Cut Out Dimensions and Installation Example - For M3 Screw



※Magnet is stored under the cover.

No.	Part Name	Material	Finish
①	Yoke	Stainless Steel (Equivalent)	Barrel Polished
②	Cover	Stainless Steel (SUS304)	Plain
③	Magnet	Neodymium	Plastic Coating
④	Counter Plate	Stainless Steel (Equivalent)	Barrel Polished

Part No.	Type	Magnetic Force	
GMC-YN015S	Magnetic catch only	22.5 N	2.3 kg
GMC-YN015SP	Magnetic catch, counter plate & screws		