

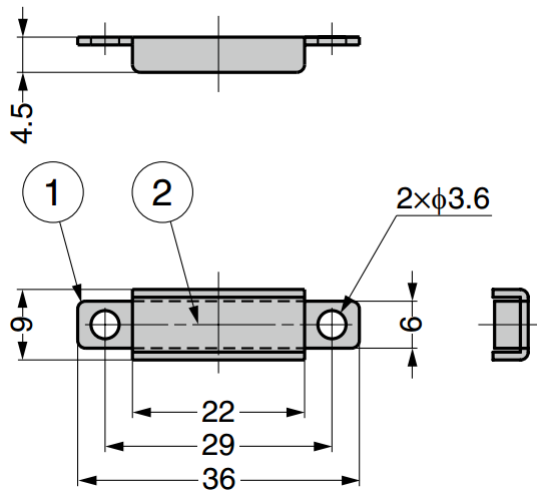
GMC-YN003 Magnetic Catch

Features

- Thin magnetic catch of 4.5 mm thick ideal for tight space

Notes

- During installation, to ensure counter plate contacts the yoke on both sides. Direct contact with magnet may cause magnet to break.



No.	Part Name	Material	Finish
①	Yoke	Steel (SPCC)	Nickel
②	Magnet	Ferrite	–

Part No.	Magnetic Force	
GMC-YN003	16.6 N	1.7 kg

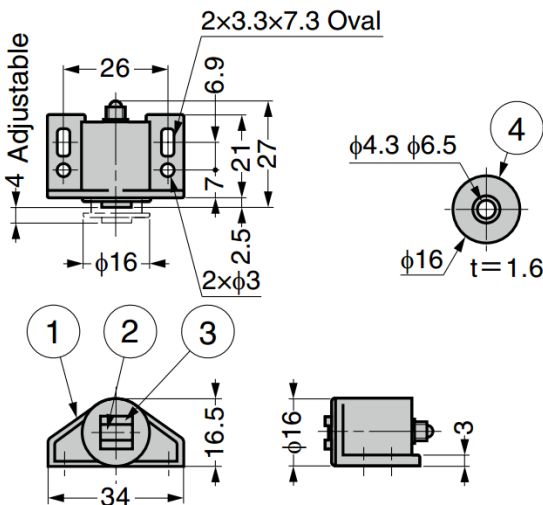
GMC800 Magnetic Catch

Features

- Yoke position adjustable 4 mm forward and backward

Parts Included

- Counter plate



No.	Part Name	Material	Finish / Colour
①	Body	PP	Brown
②	Magnet	Ferrite	–
③	Yoke	Steel (SPCC)	Bronze
④	Counter Plate		

Part No.	Magnetic Force	
GMC800	19.6 N	2 kg