

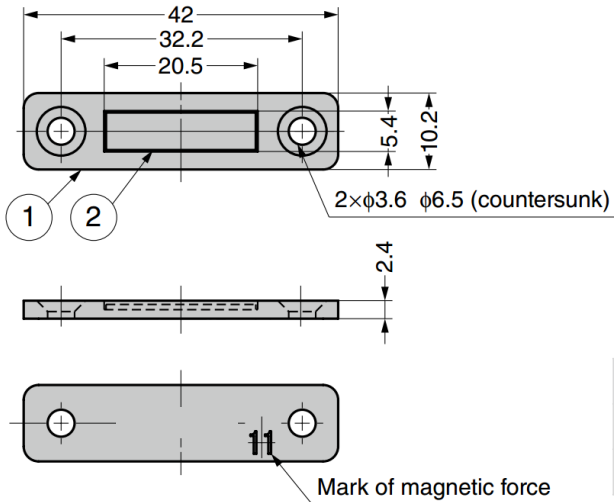
GMC-421 Ultra-Thin Magnetic Catch

Features

- Super-slim and compact design: 2.4 mm thick and 10.2 mm wide

Notes

- Max. temperature: 80°C
- Counter plate should be in contact with the body, direct contact may damage the magnet
- Recommended screw: countersunk head wood screw M3



No.	Part Name	Material	Finish
①	Body	Steel (SPCC)	Nickel
②	Magnet	Neodymium	

Part No.	Magnetic Force	
GMC-421-11	11 N	1.1 kg
GMC-421-30	30 N	3.1 kg

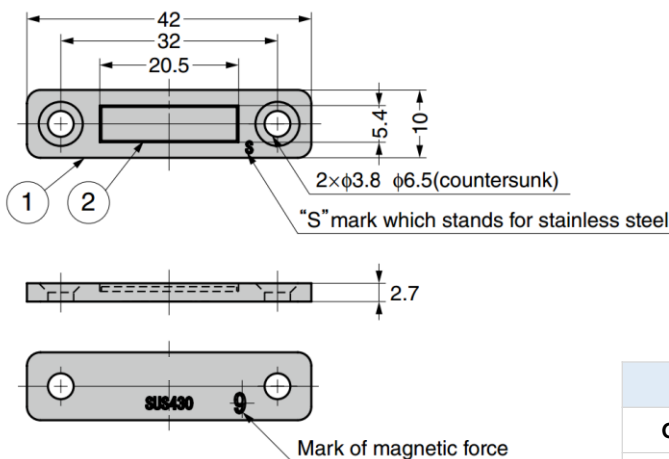
GMC-421SUS Stainless Steel Ultra-Thin Magnetic Catch

Features

- Made of stainless steel for high corrosion resistance
- Super-slim and compact design: 2.7 mm thick and 10 mm wide

Notes

- Max. temperature: 80°C
- Counter plate should be in contact with the body, direct contact may damage the magnet
- Recommended screw: countersunk head wood screw M3



No.	Part Name	Material	Finish
①	Body	Stainless Steel (SUS430)	Barrel Polished
②	Magnet	Neodymium	Nickel

Part No.	Magnetic Force	
GMC-421SUS-9	9 N	0.9 kg
GMC-421SUS-24	24 N	2.4 kg