

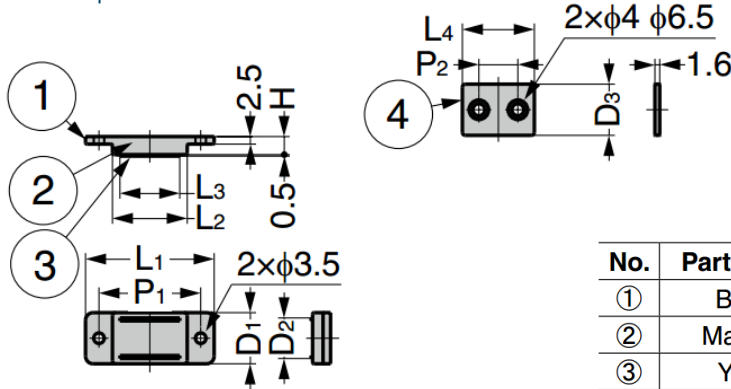
GMC-111 / 112 / 113 Magnetic Catch

Features

- Surface mount type thin magnetic catch ideal for tight spaces

Parts Included

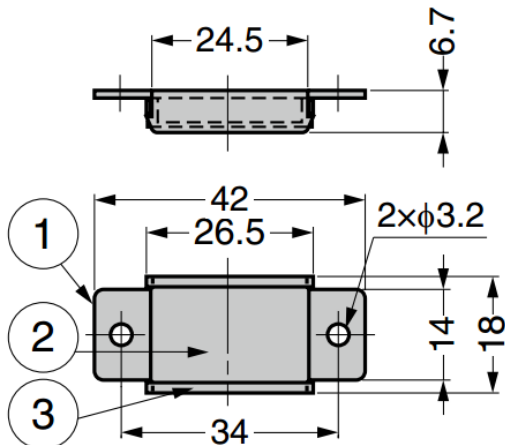
- Counter plate



No.	Part Name	Material	Finish / Colour
①	Body	ABS	Black, Ivory
②	Magnet	Ferrite	–
③	Yoke	Steel	Clear Zinc Chromate
④	Counter Plate	(SPCC)	Nickel

Part No.	Colour	L ₁	L ₂	L ₃	L ₄	D ₁	D ₂	D ₃	P ₁	P ₂	H	Magnetic Force	
GMC-111B	Black	64	46	42	45	24.5	21	24	55	30	7	49 N	5 kg
GMC-111IV	Ivory												
GMC-112B	Black	53	35	31	34	23.5	20	23	44	20	6.2	29.4 N	3 kg
GMC-112IV	Ivory												
GMC-113B	Black	43	25	20	24	17	13.5	17	34	13	6	9.8 N	1 kg
GMC-113IV	Ivory												

GMC0750 Magnetic Catch



No.	Part Name	Material	Finish
①	Yoke	Steel (SPCC)	Nickel
②	Magnet	Ferrite	–
③	Cover	Stainless Steel (SUS304)	Polished

Part No.	Magnetic Force
GMC0750	24.5 N