

## CB-1 Lift-A-Syst®

20 Series light and medium duty

### Features

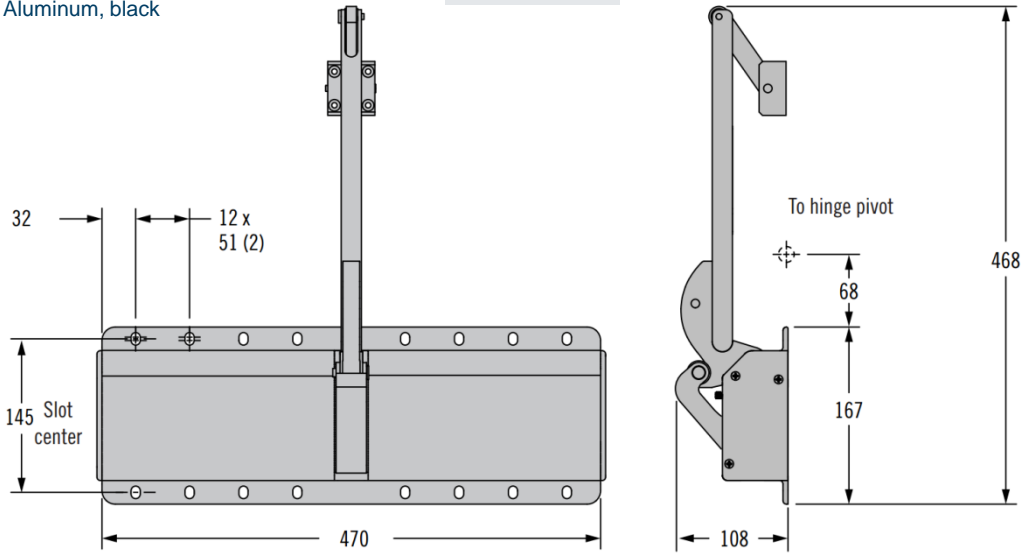
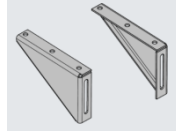
- Provides maximum safety for pass through hinged counters
- One piece construction
- Low profile design
- Ease of installation
- Maintenance free (no serviceable parts)

### Material

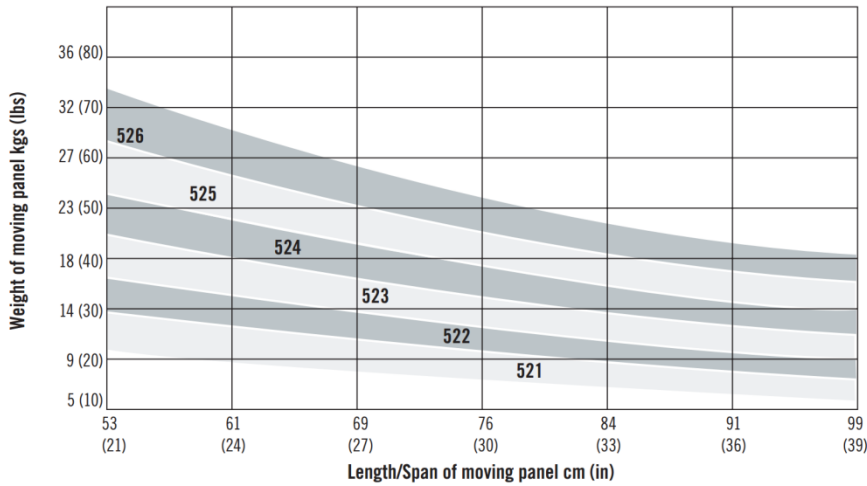
- Aluminum, black

### Accessories

- Die wall kit to be used when mounting surface is narrower than the unit (Part no.CB-1-20-500)



### Model Selection Chart



20 Series Part Numbers
CB-1-20-526-10
CB-1-20-525-10
CB-1-20-524-10
CB-1-20-523-10
CB-1-20-522-10
CB-1-20-521-10

Part selected is based at the intersection point on the table where your weight and length meet. Use of the Selection Chart when both weight and length is known