

M1 Push-to-Close Flush Latch

38mm - Stainless steel

Features

- Single, round-hole installation
- Locking style restricts access
- Premium finish and corrosion resistance
- Privacy lock on locking version

Product Performance

- Maximum static load: 545 N

Installation Notes

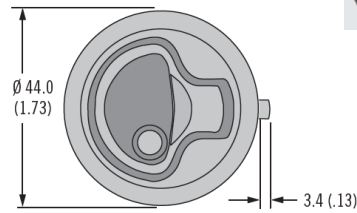
- Use the reference table to determine if a spacer is required for the door thickness and the correct mounting bracket orientation.
- The spacer shown is in the forward position.

Material

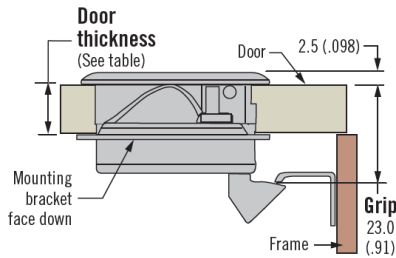
- Latch: 316 grade stainless steel, bright polished
- Spacer: Nylon, black

Accessories

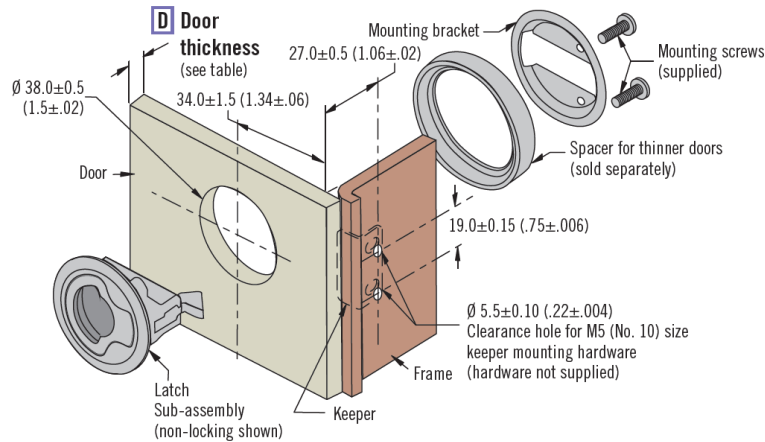
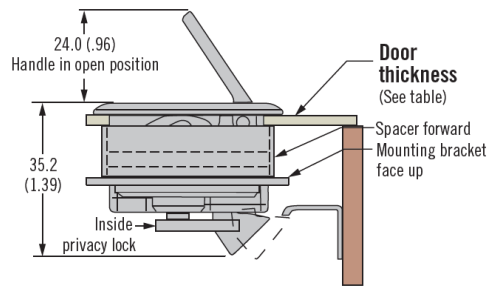
- Keeper: M1-510-19-8
- Mounting screws: M1-510-96-4
- One key supplied per latch, for additional keys order: M7-88-9121324-S
- Spacer: M1-510-96-1 (sold separately)



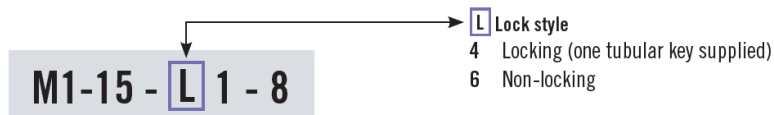
Non-locking



Locking



D Door Thickness	Spacer Orientation	Mounting Bracket Orientation
1.0 - 5.0 (.04 - .20)	Forward	Face Up
5.0 - 9.0 (.20 - .36)	Reverse	Face Up
9.0 - 14.5 (.36 - .57)	(not required)	Face Up
14.5 - 21.0 (.57 - .83)	(not required)	Face Down



M1 Push-to-Close Flush Latch

50mm · Stainless steel · Plastic

Features

- Single, round-hole installation
- Corrosion-resistant materials
- Inside actuation when locked or unlocked

Accessories

- Keeper: M1-519-4
- Lock style 4 key (pair): M1-546
- Lock style 7 overmolded key S008 (pair): M1-525-39-S008

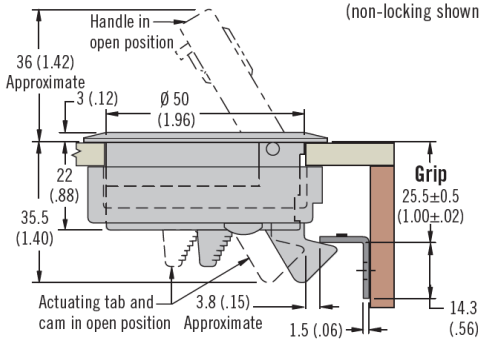
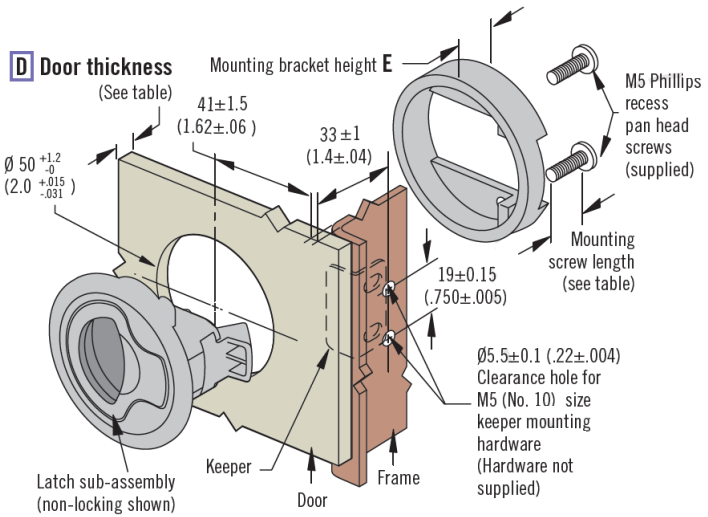
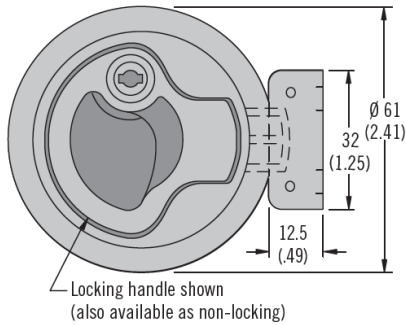


Material

- Stainless steel 316 grade, electropolished
- or PC/PBT blend, black, white or beige

Product Performance

- Maximum working load:
 - Stainless Steel: 835 N
 - PC/ABT blend: 270 N
- Operating temperature range: -18 °C to 60 °C
- Flammability rating: UL94-HB (plastic version)
- Maximum tightening torque on mounting screws: 1.7 N.m



D Door Thickness		Mounting Bracket Height E	Mounting Screw Length	Replacement Screw Part Number
Minimum	Maximum			
2 (.075)	7 (.275)	14 (.55)	16 (.63)	M1-0-27358-01
7 (.275)	12 (.475)	14 (.55)	20 (.81)	M1-0-27358-02
12 (.475)	17 (.675)	3.8 (.15)	16 (.63)	M1-0-27358-01
17 (.675)	22 (.875)	3.8 (.15)	20 (.81)	M1-0-27358-02

D Door thickness

- 1 2 - 7 (.075 - .275)
- 2 7 - 12 (.275 - .475)
- 3 12 - 17 (.475 - .675)
- 4 17 - 22 (.675 - .875)

L Lock style

- 4 Locking (2 keys supplied)
- 6 Non-locking
- 7 Key-locking keyed alike S008 (2 overmolded keys supplied) (Only available for stainless steel version)

F Finish

- 1 White Thermoplastic
- 7 Beige Thermoplastic
- 8 Stainless steel (omit for black)

M1 - L D - F

southco

We are proud to be
Southco's authorized
distributor of over 20 years

M1 Push-to-Close Flush Latch

64mm - Stainless steel

Features

- Single, round-hole installation
- Corrosion-resistant materials
- Inside actuation when locked or unlocked

Product Performance

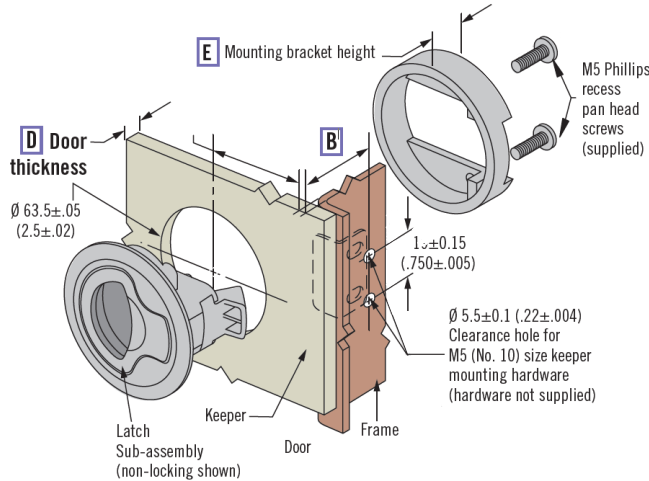
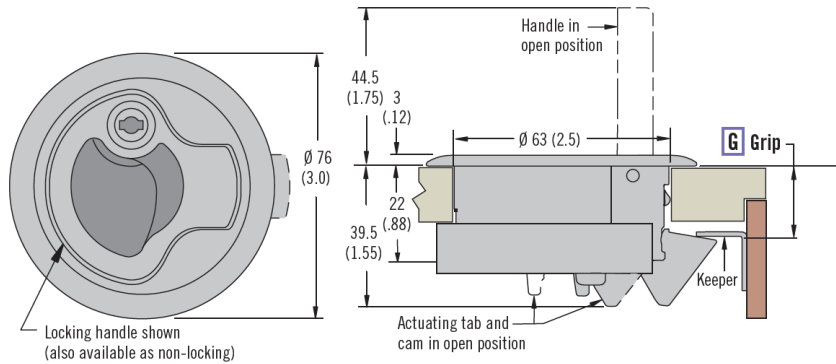
- Maximum working load: 835 N
- Operating temperature range: -18 °C to 60 °C
- Maximum tightening torque on mounting screws: 1.7 N.m

Material

- Stainless steel 316 grade, electropolished

Accessories

- Keeper: M1-525-19-4
- Lock style 4 key (pair): M1-546
- Lock style 7 overmoulded key S008 (pair): M1-525-39-S008



G Grip	E Mounting Bracket Height	D Door Thickness		B
		Minimum	Maximum	
20±0.5 (.75±.02)	22 (.875)	2 (.075)	12 (.475)	27 (1.10)
32±0.5 (1.25±.02)	22 (.875)	2 (.075)	12 (.475)	39 (1.54)
20±0.5 (.75±.02)	12 (.475)	12 (.475)	22 (.875)	27 (1.10)
32±0.5 (1.25±.02)	12 (.475)	12 (.475)	22 (.875)	39 (1.54)



M1 - 25 - L D - G 8

- L Lock style**
- 4 Locking keyed alike (2 keys supplied)
 - 6 Non-locking
 - 7 Key-locking keyed alike S008 (2 overmolded keys supplied)