

HG-PA182 Lift Assist Hinge (Rear External Mount)

Features

- **Lift assist:** Easy to lift heavy top-opening lids due to spring tension
- **Soft close:** Built-in damper prevents lids from slamming shut
- Torque is adjustable by turning the adjustment screw ($\pm 11\%$)
- Comes with a cover to hide the mounting screws
- Designed for use under the condition where centre of gravity of cover is at a higher position than the rotational centre (angle of torque peak is about 20°)

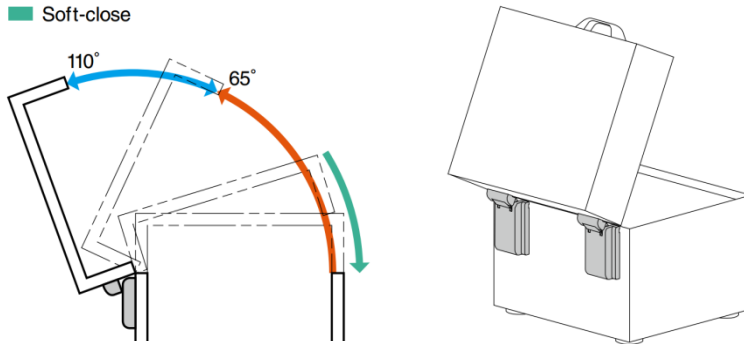
Notes

- Ensure that the lid will not fall backward when fully opened

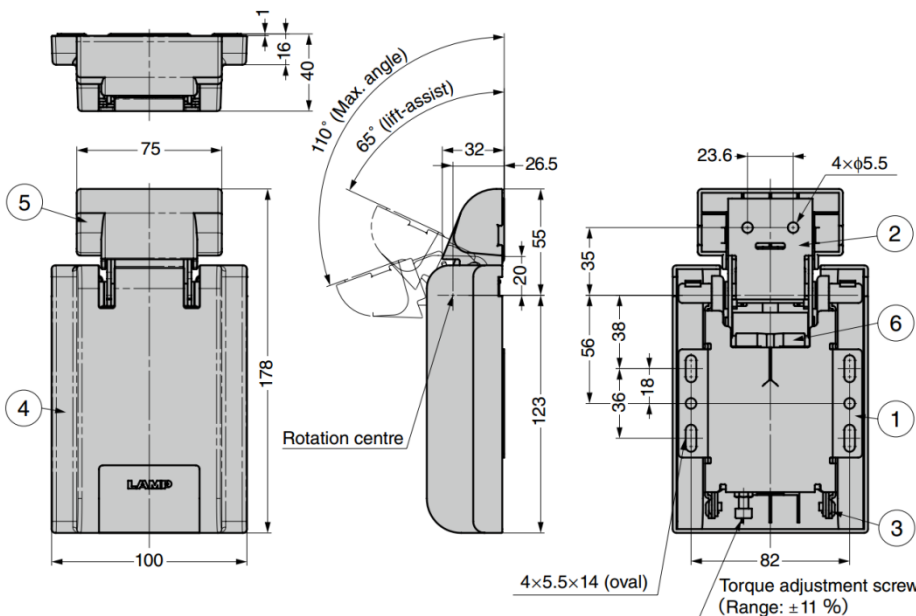


Operating Range

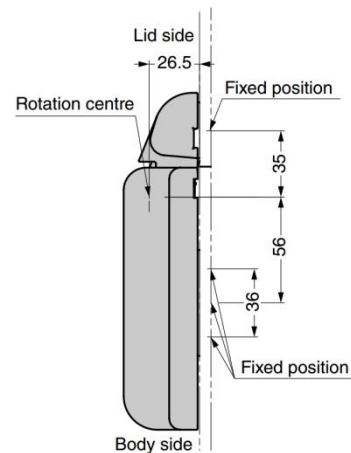
- Free
- Lift-assist
- Soft-close



No.	Part Name	Material/Colour
①	Base A	Stainless Steel (SUS430)
②	Base B	
③	Cover A	PBT/ Light Grey
④	Cover B	
-	Slider	POM
-	Spring	Steel (SWO)



Installation



Part No.	Torque (per piece)	
HG-PA182-9	$9 \pm 10\%$ N.m	$91 \pm 10\%$ kgf.cm