

GHG-LSC Stainless Steel Heavy Duty Butt Hinge

Features

- 6 mm thick stainless steel makes the hinge very strong
- Made with special rings (oil-impregnated bearings) for smooth movement
- Head caps hide shaft for clean appearance
- Passed 200,000 life cycle test
- Suitable for large doors, gate doors, and other heavy applications, etc.

Notes

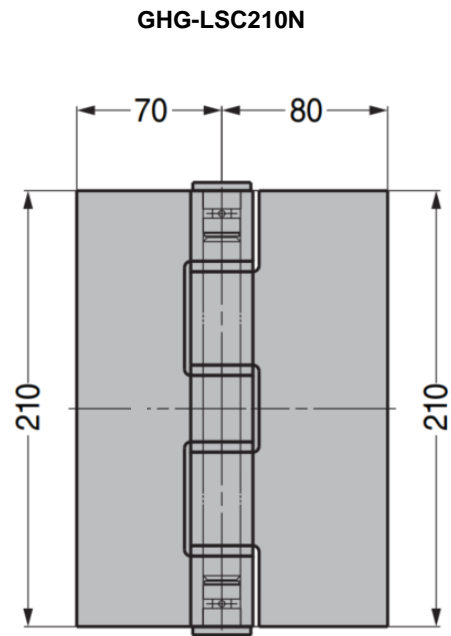
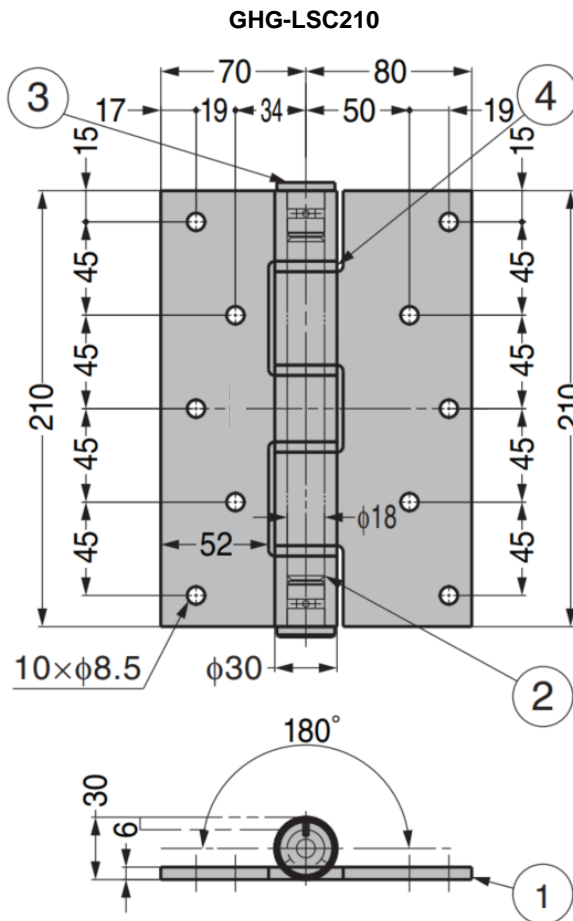
- Shaft is not removable



GHG-LSC210



GHG-LSC210N



| No. | Part Name | Material | Finish |
|-----|-----------|-----------------------------|--------|
| ① | Body | Stainless Steel (SUS304) | Satin |
| ② | Shaft | | Plain |
| ③ | Head Cap | | - |
| ④ | Ring | | Plain |

*Open/close test is under the following conditions:
 -Hinge: Using three hinges vertically
 -Door size: W900 × H2000
 -Door weight: 250kg

| Part No. | Type | Load Capacity (per pair) | |
|-------------|---------------------|--------------------------|--------|
| GHG-LSC210 | With screw holes | 1,960 N | 200 kg |
| GHG-LSC210N | Without screw holes | | |