

GDFHG Stainless Steel Ball Bearing Hinge

Features

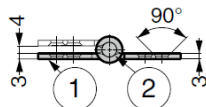
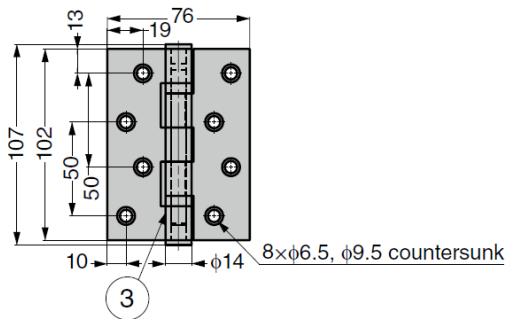
- Built-in ball bearings allow for smooth movement
- Stainless steel construction

Parts Included

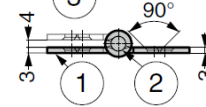
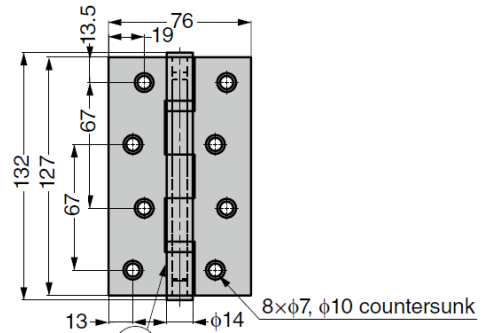
- Cross-recessed countersunk screws 4.9 x 32 (stainless steel)

Notes

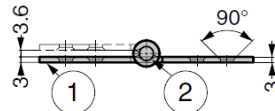
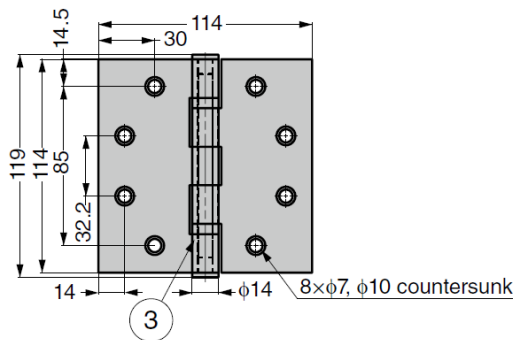
- When mounting on sheet metal, spot facing of the enclosure is required
- Shaft is not removable



GDFHG-4030BSS



GDFHG-5030BSS



GDFHG-4545BSS

No.	Part Name	Material	Finish
①	Body A	Stainless Steel (SS304)*	Satin
②	Shaft	Stainless Steel (SUS304)	-
③	Ball Bearing		

*ASTM standard AISI 304: SUS304 equivalent

Part No.	Load Capacity (per pair)	
GDFHG-4030BSS	392 N	40 kg
GDFHG-4545BSS	441 N	45 kg
GDFHG-5030BSS	490 N	50 kg