

EH-8C Heavy Duty Surface Mount Hinge

Surface mount

Features

- Allows 180 degree opening
- Adjustable mounting
- High load capacity
- Ideal for larger doors

Material

- Leaves: Aluminum alloy, black paint
- Pin: Stainless steel

Installation Notes

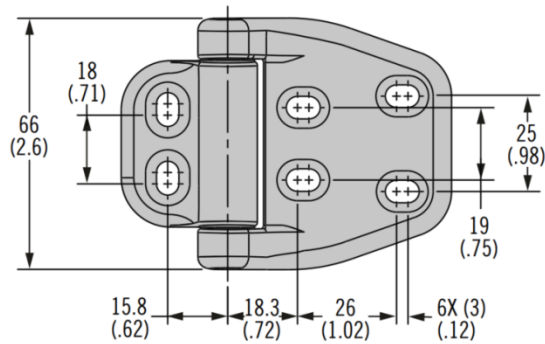
- Counterbore version: M5 (No. 10) pan head screws (not supplied)
- Countersunk version: M5 (No.10) flat head screws (not supplied)

Product Performance

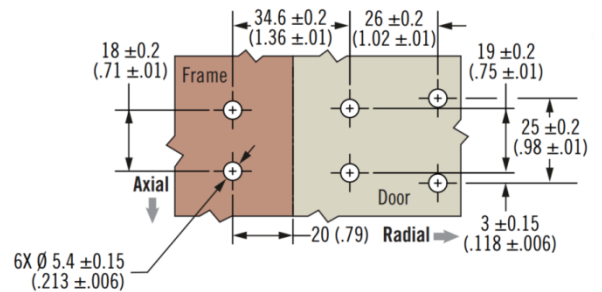
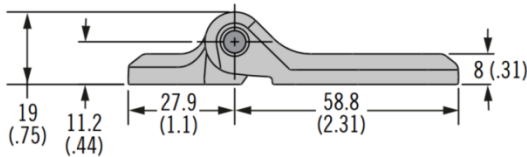
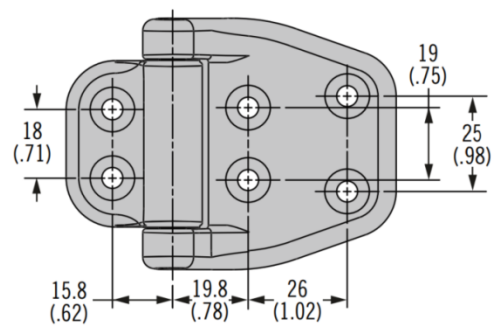
- Average ultimate radial load (0°):
 - **EH-8C-6V8-82:** 12,272 N
 - **EH-8C-6W8-82:** 9,945 N
- Average ultimate radial load (90°):
 - **EH-8C-6V8-82:** 7,556 N
 - **EH-8C-6W8-82:** 5,813 N
- Average ultimate axial load:
 - **EH-8C-6V8-82:** 3,714 N
 - **EH-8C-6W8-82:** 3,062 N



Counterbore Thru-Holes



Countersunk Thru-Holes



Part Number	
Counterbore Thru-Hole	EH-8C-6W8-82
Countersunk Thru-Hole	EH-8C-6V8-82