

GMPH-WP Micro Detent Hinge

Water resistant · Dust resistant · Passed 100,000 cycle test

Features

- Free-stop hinges suitable for opening and closing small folding cases
- Excellent water and dust resistance
- Small outer diameter of $\phi 5\text{mm}$ allows for a small hinge mounting area and a compact housing
- The enclosure has an opening angle of 165° and has a catching force when opening and closing
- Passed 100,000 cycle test

Applications

- Compact and lightweight doors and small waterproof terminals (mobile phones, remote controls, etc.) that require water and dust resistance, such as food machinery, medical and analytical equipment etc.

Notes

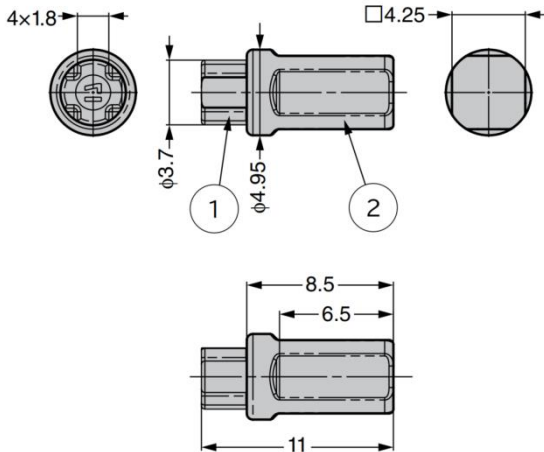
- In the case of foldable mobile phones, the maximum weight is about 55 g for a single use
- Do not take the load with the hooks
- Please contact us for installation dimensions and other details



Application Example



Water-resistant



No.	Part Name	Material
①	Hook	Polyacetal (POM)
②	Revolver	Stainless Steel

Part No.	Opening Angle
GMPH-WP	165°