

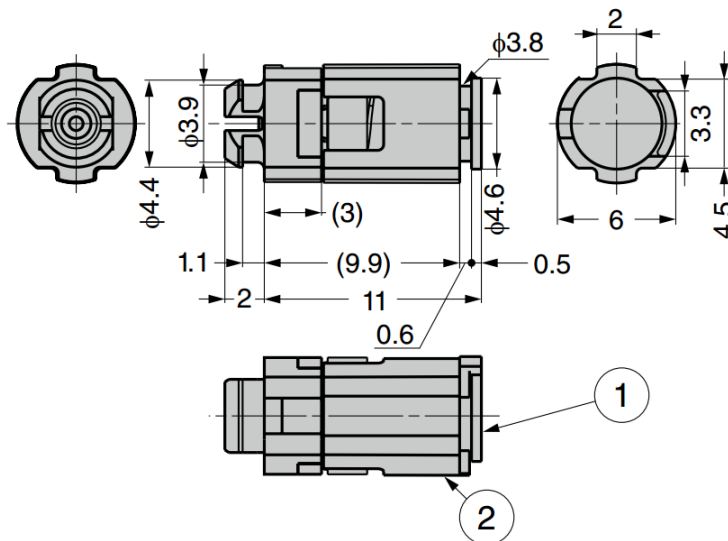
GMPH-30 Micro Detent Hinge (High Torque)

Features

- Ultra compact detent hinge suitable for clamshell type cell phones, PDA and other foldable devices
- With the torque of a single hinge equal to that of two conventional hinges, you can design various casings as there is no need for hinge space on the other side
- Designed for 160° opening, and detent catch in open and closed position
- Easy snap-in for quick assembly
- Passed 100,000 life cycle test

Notes

- For clamshell type cell phones, with weight up to 55g when using one hinge
- The boundary between the movable side and fixed side of casing shall be set near the hinge centre



No.	Part Name	Material	Finish / Colour
①	Spindle	Steel	Clear Zinc Chromate
②	Body	POM	White

Part No.	Opening Angle
GMPH-30	160°