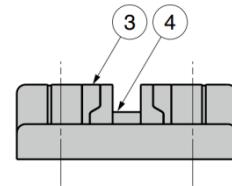
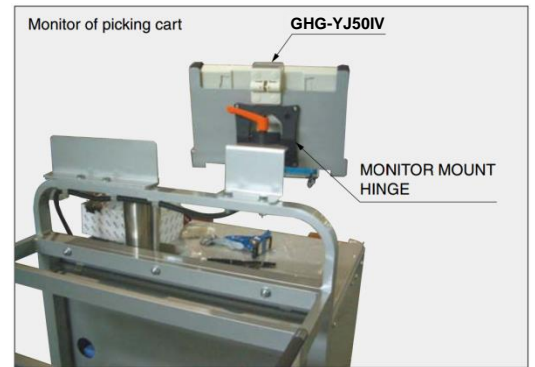
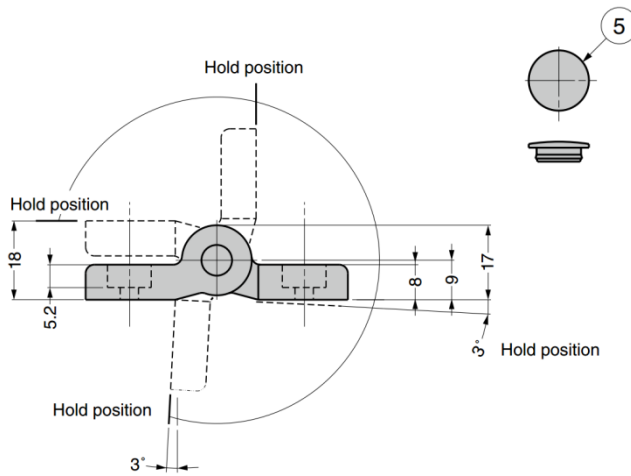
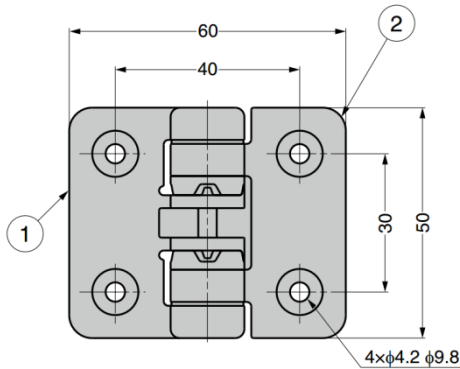
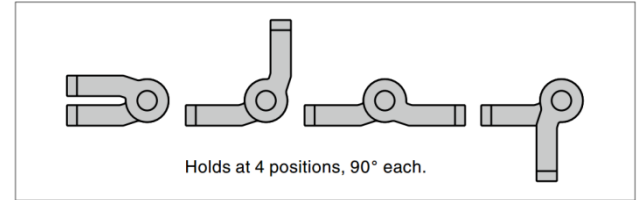
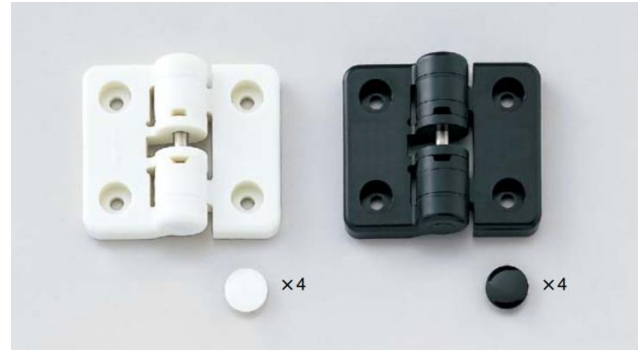


## GHG-YJ50 Detent Hinge

### Features

- Holds at 4 positions, 90° each
- Lightweight plastic hinge
- Plastic parts and metal parts can be separated for easy recycling
- Suitable for applications such as plastic or small metal doors of medical equipment, equipment machinery, etc.
- Caps for the screw holes are included, and are available as additional separate orders:
  - Ivory: **GKD-772-3I**
  - Black: **GKD-772-3B**



Door Size Criteria (Using 2 pcs vertically for plastic doors)

Width	Height	Weight
Max. 400	Max. 500	Max. 1.2kg

No.	Part Name	Material	Finish / Colour
①	Body A	POM	Emboss/Ivory (IV), Black (BL)
②	Body B		
③	Stopper Plate	PA	
④	Shaft	Stainless Steel (SUS303)	—
⑤	Cap (included)	PP	Emboss/Ivory (IV), Black (BL)

Part No.	Colour	Retaining Torque (per piece)	
GHG-YJ50IV	Ivory	~ 0.49 N.m	~ 5 kgf.cm
GHG-YJ50BL	Black		