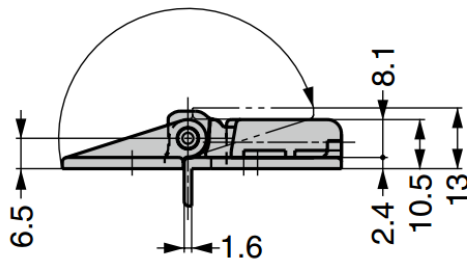
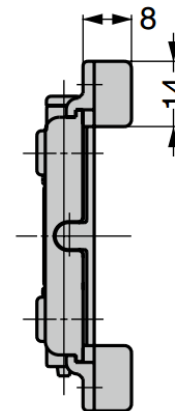
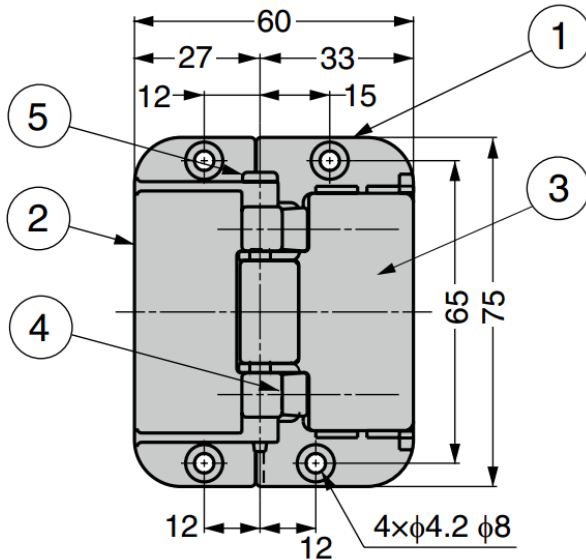
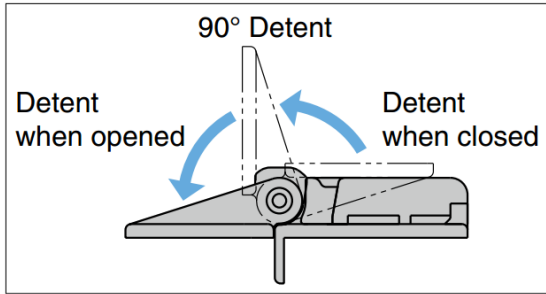


GCH-75 Centre Hinge

Features

- Cam and slide latch provide a detent function in opened and closed positions
- Cushion function absorbs impact at full opening and unexpected external force
- Removable hinge pin allows easy installation



Part No.	Finish
GCH-75-NI	Nickel
GCH-75-GB	Bronze

No.	Part Name	Material	Finish / Colour
①	Body A	Zinc Alloy (ZDC)	Nickel (NI), Bronze (GB)
②	Body B		
③	Holder	POM	Brown
④	Latch		Black
⑤	Hinge Pin	Steel (SWCH)	Lubricant Coating/Black