

G6 Hinge

Position control · Detent

Features

- Holds doors open without secondary mechanical support
- Detent holds door at 120° and 170°
- Can be opened to 180°

Notes

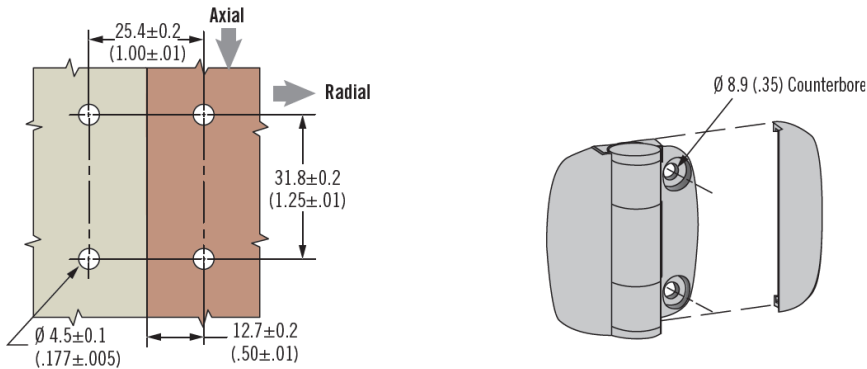
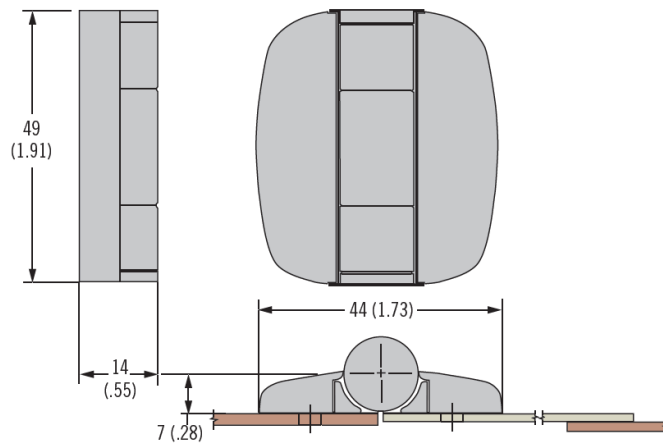
- Screws not supplied
- Hinge designed to accommodate M4 size pan head mounting hardware

Material

- Acetal and nylon, black

Product Performance

- Radial load:
 - Maximum static load: 130 N
 - Average ultimate load: 970 N
- Axial load:
 - Maximum static load: 130 N
 - Average ultimate load: 1,450 N
- Cycle life: 10,000 cycles
- Operating temperature range: -20 °C to 80° C



Part Number	Detent Angle	Positioning Torque
G6-0-1	<p>Free swinging (no detents)</p>	~
G6-5-1	<p>170° 120°</p>	1.1 N·m (10 in·lbf)