

## H140 Stainless Steel Concealed Hinge

### Features

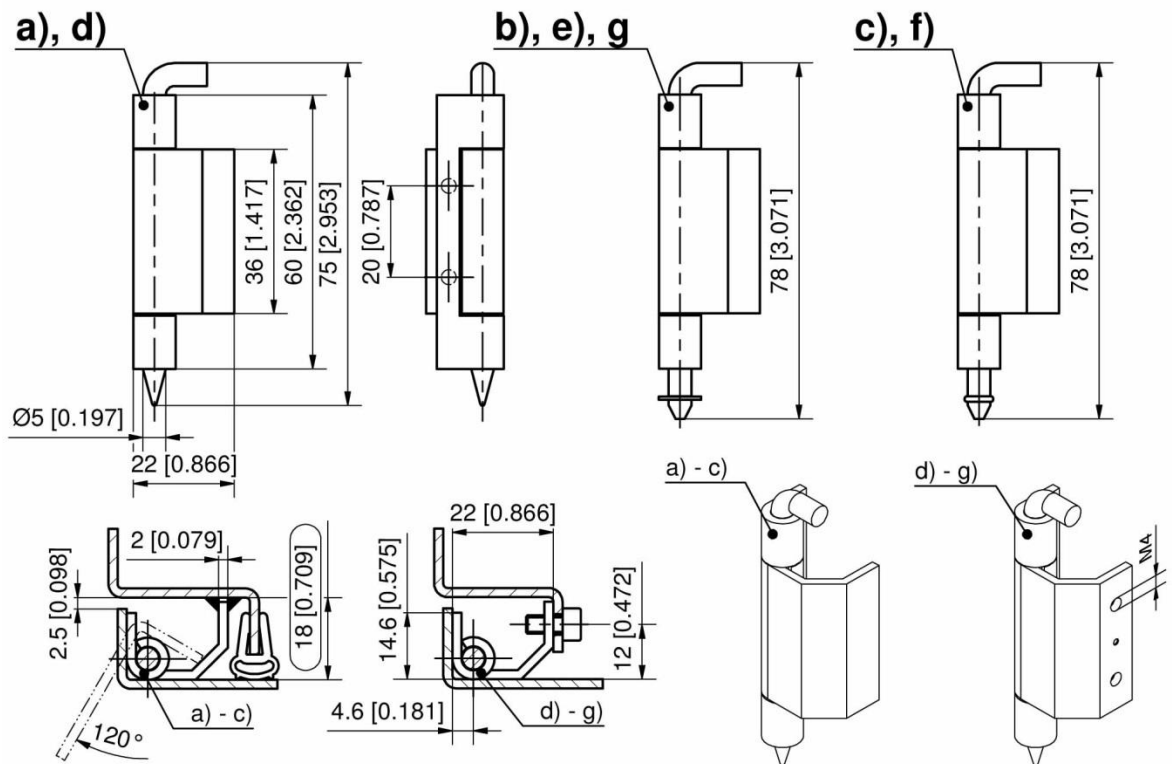
- Concealed hinge for surface mounted doors
- RH / LH application
- 120° opening angle
- Weld-on / screw-on installation

### Material

- Body: Stainless steel 304 or 316L
- Pins: Stainless steel 303 or 316L

### Notes

- Contract Gripwell sales to confirm availability of retaining and o-rings when ordering



Part No.	Ref.	Hinge Material	Pin Material	Pin Version	Installation Type
H140-C16-9101	(a)	Stainless Steel 304	Stainless Steel 303	Without Groove	Weld-On
H140-C16-9109	(b)			With Groove + Retaining Ring	
H140-C16-9109-1	(c)			With Groove + O-Ring	
H140-C16-9102	(d)			Without Groove	Screw-On / Weld-On
H140-C16-9110	(e)	With Groove + Retaining Ring			
H140-C16-9110-1	(f)	With Groove + O-Ring			
H140-C16-9121-1	(g)	Stainless Steel 316L	Stainless Steel 316L	With Groove + O-Ring	
H140-C16-9121-2	(g)			With Groove + Retaining Ring	