

GTS-243 Concealed Pivot Hinge

Features

- Removable pins make door mounting and removal easy

Notes

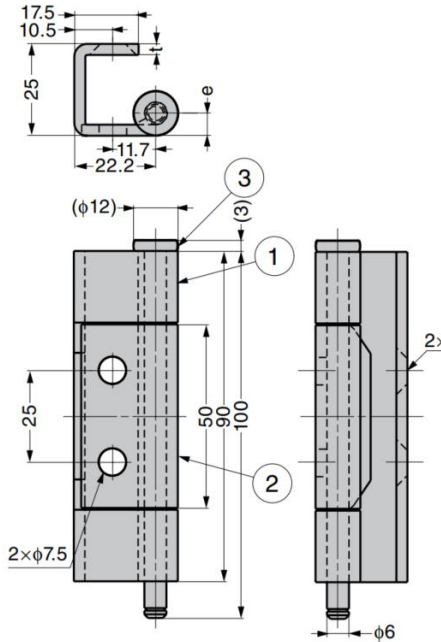
- E-type retaining rings are not included
- Mounting screws not provided



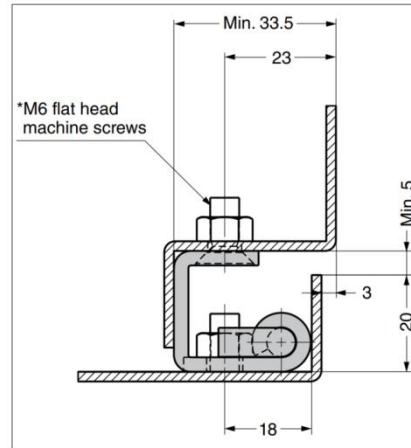
GTS-243-30S



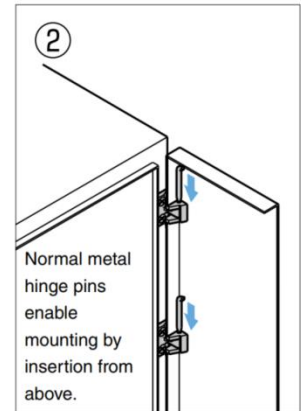
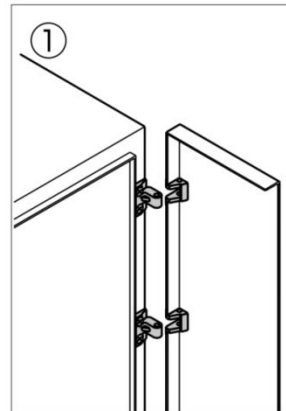
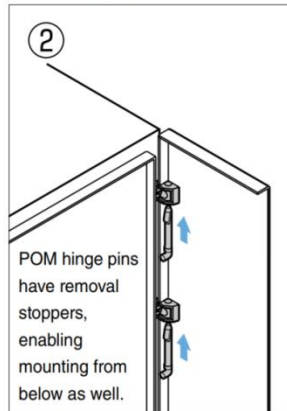
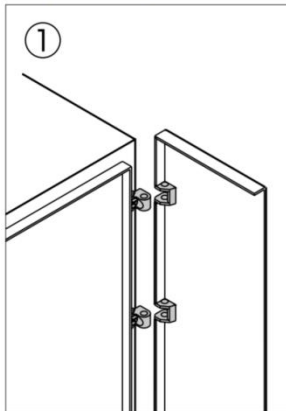
GTS-243-30



Mounting Dimensions



Doors can be easily mounted and removed by removing the hinge pins.



No.	Part Name	GTS-243-30S		GTS-243-30	
		Material	Finish	Material	Finish
①	Wing A	Stainless Steel(SUS304)	Barrel Polished	Steel (SPCC)	Bright Chromate (Trivalent)
②	Wing B		Plain	Stainless Steel (SUS304)	Plain
③	Pin				

Reference door weight: 100 kg
(For door size W1000×H2300, 3 vertical pcs, 10,000 open/close times)

Part No.	Main Material	t	d	e	Load Capacity (per pair)	
GTS-243-30S	Stainless Steel	3	ø7.4, ø12.8 flat	6.1	333 N	34 kg
GTS-243-30	Steel	3.2	ø6.8, ø12.8 flat	6.3	275 N	28 kg