

M5 Transom Door Latch

Stainless steel

Features

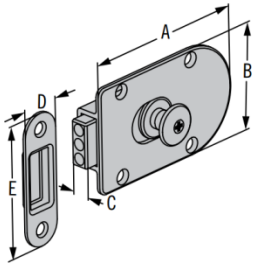
- Designed for 12 mm doors
- Features an adjustable slide bolt
- Comes with striker (magnetic)
- Screws not included
- Locking and non-locking versions

Material

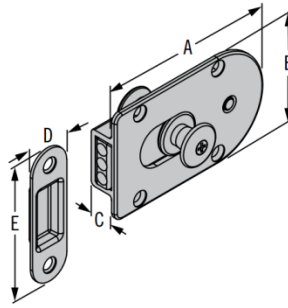
- Housing: 316 Stainless steel



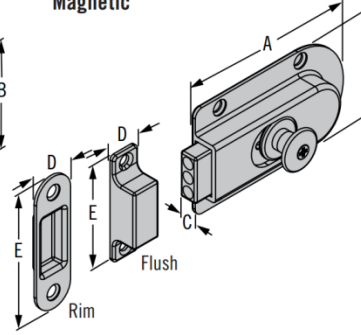
Transom Door Latch Magnetic



Double Knob Transom Door Latch Magnetic (with lock)

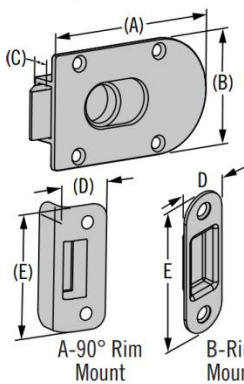


Oval Single Side Transom Door Latch Magnetic

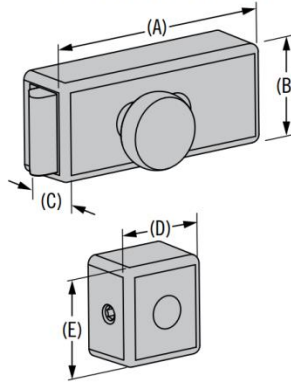


Name	Part Number	Striker Part Number	(A) mm (inch)	(B) mm (inch)	(C) mm (inch)	(D) mm (inch)	(E) mm (inch)
Transom door latch magnetic	M5-60-101-8 (non-locking)	M5-C-305-8	90 (3.50)	55 (2.19)	9.3 (.38)	21 (.88)	70 (2.75)
	M5-60-111-8 (locking)						
Double knob transom door latch - magnetic (with lock)	M5-60-152-8	M5-C-305-8	91 (3.56)	56 (2.22)	9 (.34)	21 (.88)	70 (2.75)
Oval single side transom door latch - magnetic	M5-60-201-8	M5-C-801-8 (Flush striker)	91 (3.56)	56 (2.22)	9 (.34)	15 (.63)	70 (2.75)
	M5-60-305-8	M5-C-305-8 (Rim striker)				21 (.88)	

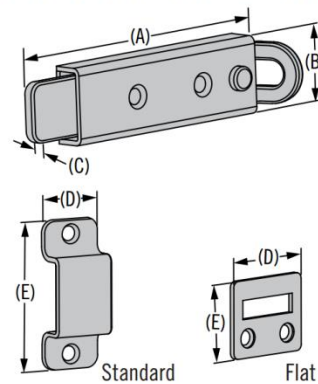
Transom Latch Spring Bolt (flush)



Transom Latch Spring Bolt (surface)



Transom Latch Spring Bolt - Heavy Duty



	Part Number	Model	A	B	C	D	E
Transom Latch Spring Bolt (flush)	M5-60-302-8	Single side	91 (3.63)	56 (2.25)	9 (.38)	x	x
	M5-60-309-8	Double side	91 (3.63)	56 (2.25)	9 (.38)	x	x
Strikers	M5-C-301-8	A	x	x	x	22 (.87)	56 (2.25)
	M5-C-304-8	B				22 (.87)	70 (2.25)
Transom Latch Spring Bolt (surface)	M5-60-451-8	Striker included	72 (2.75)	30 (1.19)	20 (.75)	27 (1.06)	30 (1.19)
Transom Latch Spring Bolt Heavy Duty	M5-60-205-8	Flat	137 (5.41)	32 (1.25)	5 (.19)	38 (1.5)	32 (1.25)
	M5-60-206-8	Standard				25 (.98)	60 (2.36)