

GDC Damper Catch

Features

- For swing doors
- Suitable for both right and left opening
- Four models available depending on door specification, installation method, weight and size
- **GDC-90** is installed vertically to the front of cabinet, not interfering with storage
- **GDC-100** can be positioned simply by pressing the body against the top board bottom and aligning it with the cabinet edge

Notes

- Screws not provided for sheet metal installation (recommended screw is truss head screw M4)
- Face plate is included for glass door option

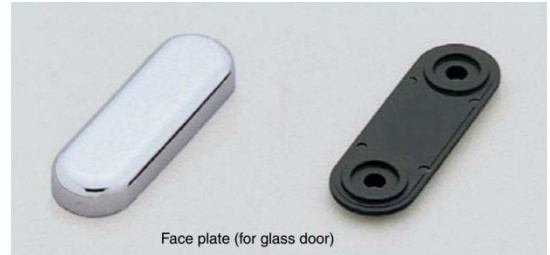
Parts Included

- Truss head tapping screw 4×30
- Truss head tapping screw 4×16
- Counter plate Jig
- Truss head screw 4×12 (Only for **GDC-90G**, **GDC-100G**)
- Face plate (Only for in **GDC-90G**, **GDC-100G**)



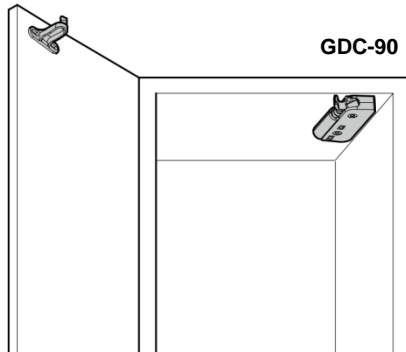
GDC-90

GDC-100

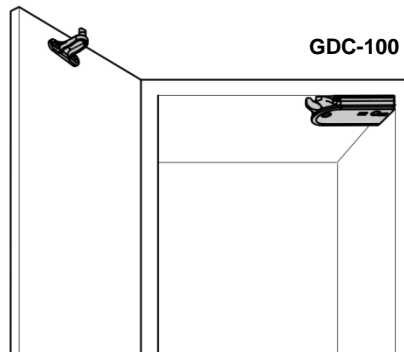


Face plate (for glass door)

Installation

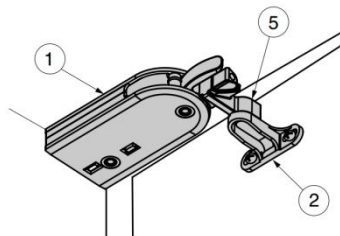


Installing vertically to the cabinet door.



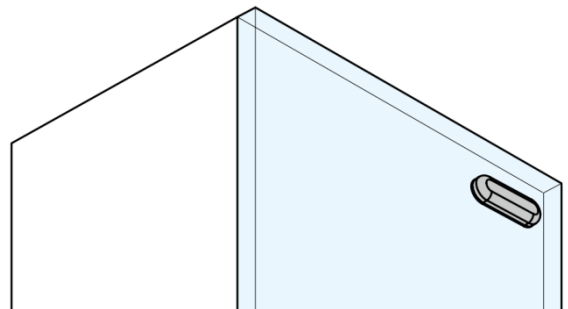
Installing horizontally to the cabinet door.

Counter Plate Installation



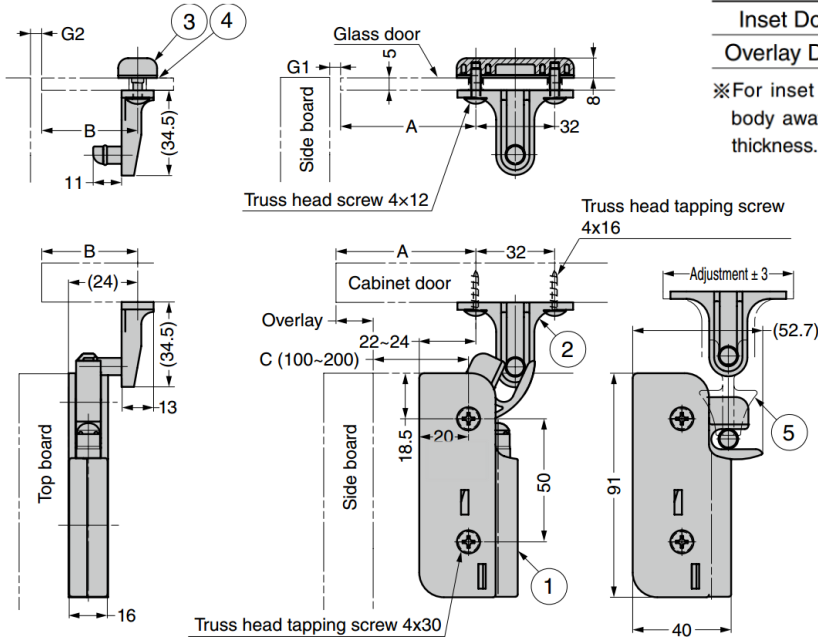
If installing jig ⑤ to body ① as shown in the figure, the installation position of counter plate ② on the door is determined. (View from the inside of door)

Face Plate Installation



Part No.	Type	Door Width	Door Height	Glass Thickness	Door Weight
GDC-90	-	Max. 450	Max. 600	-	Max. 4 kg
GDC-90G	For Glass Door			5	
GDC-100	-	Max. 600	Max. 800	-	Max. 7 kg
GDC-100G	For Glass Door			5	

GDC-90

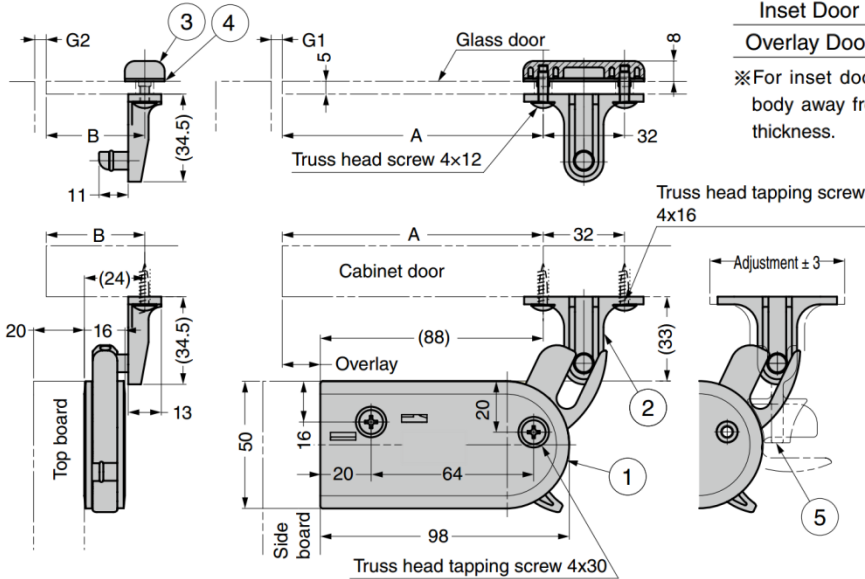


Counter Plate Installation Position for GDC-90

	A	B
Inset Door	C-G1+3	24-G2
Overlay Door	C+Overlay+3	Overlay+24

※For inset door, please shift the installation position of body away from cabinet edge to the inside by the door thickness.

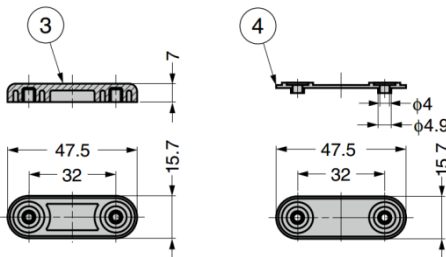
GDC-100



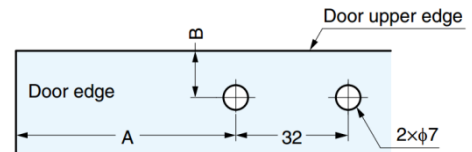
Counter Plate Installation Position for GDC-100

	A	B
Inset Door	88-G1	24-G2
Overlay Door	Overlay+88	Overlay+24

※For inset door, please shift the installation position of body away from cabinet edge to the inside by the door thickness.



Cut Out Dimensions for Glass Door



No.	Product Name	Material	Finish / Colour
①	Body	POM /PBT	Dark Grey/Light Grey
②	Counter Plate	POM	Dark Grey
③	Face Plate	Zinc Alloy (ZDC)	Chrome
④	Spacer	ABS	Black
⑤	Jig	PBT	Light Grey