

## AV-D32 (C Series) Compact Dynamic Mounting Arm

Tilt and swivel · Height adjustment · Single Arm

### Features

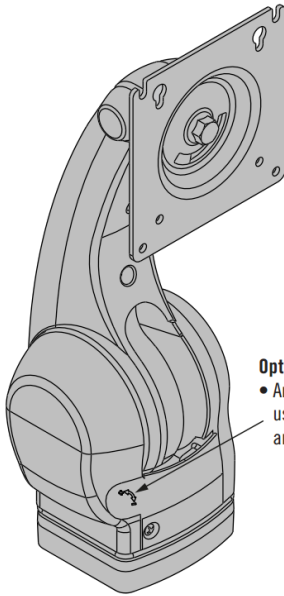
- Intuitive grab and move operation enhances the user experience
- No knobs or tools required to reposition the display
- Precise control of operating effort ensures ideal "feel" and eliminates "drift"
- Holds securely in every position
- Screw-fit covers to secure cables
- Easy display installation and replacement
- Factory assembled and ready for use

### Material

- Aluminum alloy, powder coated steel and polymer components

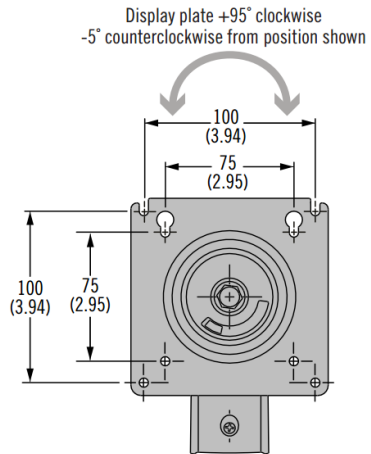
### Product Performance

- Cycle performance: 20,000 cycles within  $\pm 20\%$  of static torque specification
- Ultimate load:
  - Downward: 1,181 N
  - Upward: 540 N

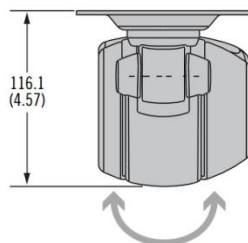
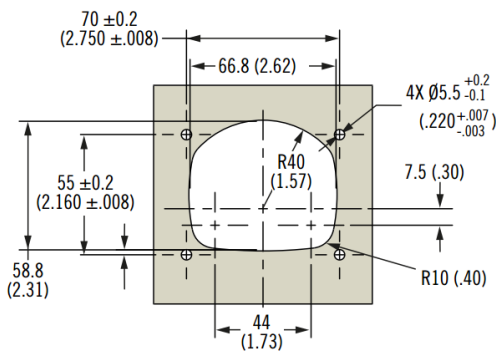


### Optional adjustable version

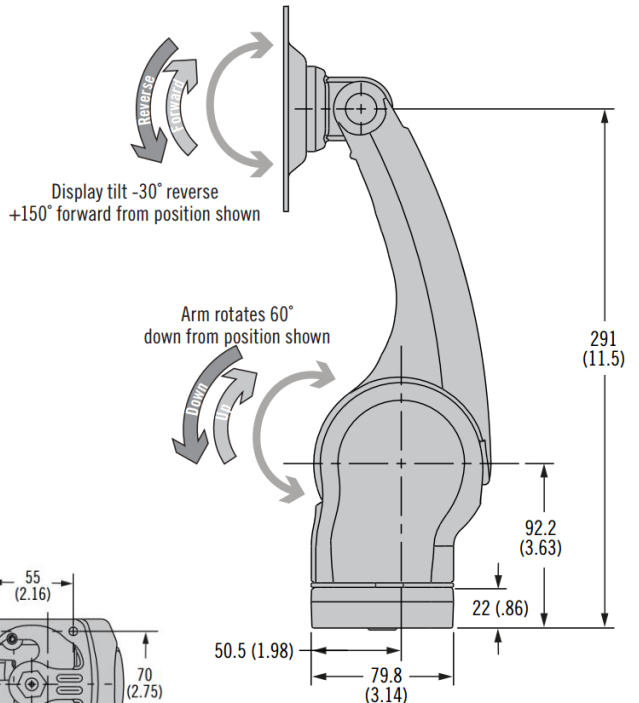
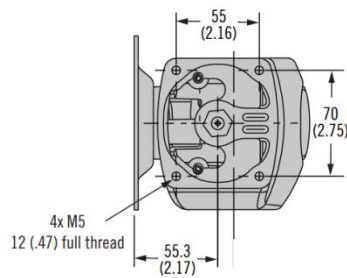
- Arm counterbalance adjustment using 8mm hex key inside lower arm front cover



### Panel Preparation



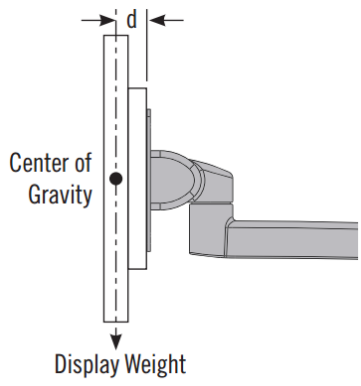
Arm swivel to base  $\pm 90^\circ$  from position shown



## Specification and Selection

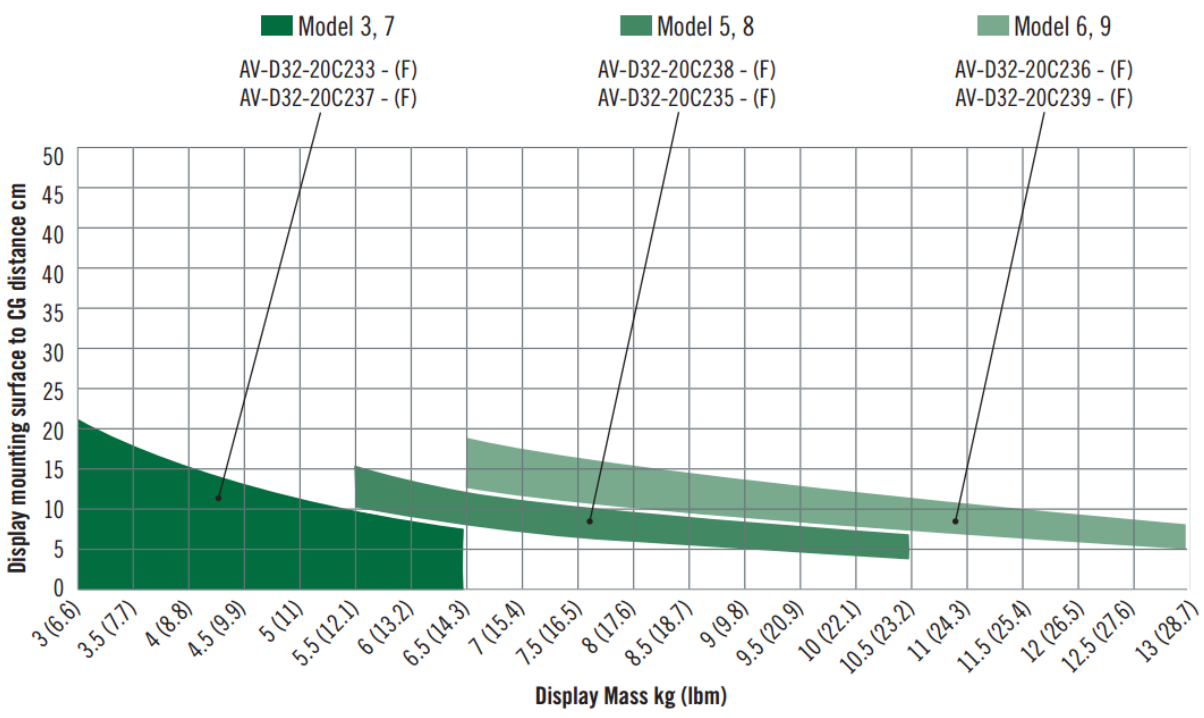
### Step 1

Determine display weight and distance (d) from mounting surface to center of gravity.



### Step 2

Use chart below to select model



### Step 3

Complete part number by selecting adjustment type and color options below.

Model	Adjustable	Display mass kg (lbm)	Tilt Torque N•m (in lbf)		Swivel Torque N•m (in lbf)
			Reverse	Forward	
3	No	3.6 - 6.8 (8-15)	8.0 (70.8)	6.4 (56.9)	2.8 (24.8)
5	No	5.6 - 10.4 (12.3-22.9)	11.3 (100.5)	8.5 (75.2)	
6	No	6 - 13 (13.2 - 22.9)	14.7 (130)	10.5 (93.6)	
7	Yes	Max 6.8 (15)	8.0 (70.8)	6.4 (56.9)	
8	Yes	Max 10.4 (22.9)	11.3 (100.5)	8.5 (75.2)	
9	Yes	Max 13 (28.7)	14.7 (130)	10.5 (93.6)	

AV - D32 - 20C23 **S** - **F**

F	Color
50	Black
76	White