

## AV-B30 (K Series) Adjustable Display Mount

Tilt and swivel

### Features

- Adjustable joints for flexible operation
- Some assembly required for initial installation - full installation hardware and adjustment tools supplied
- Rotate display for portrait or landscape orientation
- Clamps to desk or table
- Available in black, white or silver

### Material

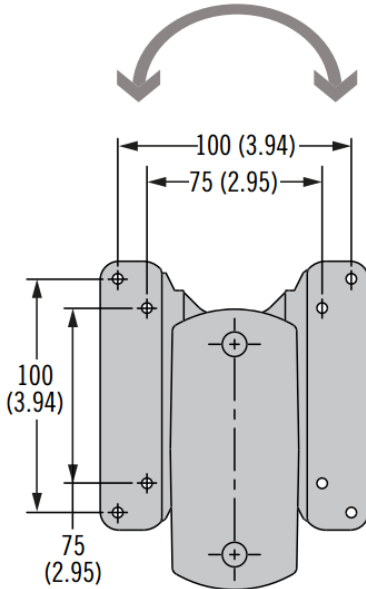
- Aluminum alloy, powder coated

### Product Performance

- Max. display weight: 14 kg

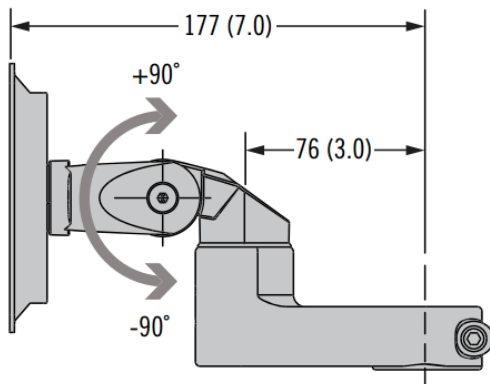


Display Plate 360° from position shown

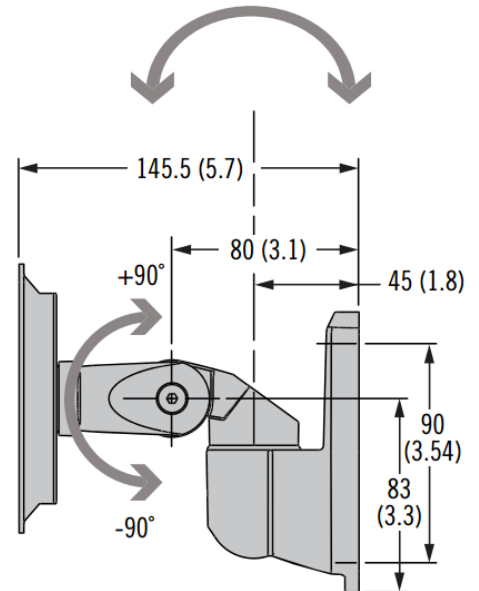


All rotating swivel joints rotate 360° and can be adjusted using supplied Allen key

### Tilt and swivel



Pole Mount **K** = 6  
(Fits 30mm Pole)



Wall Mount **K** = 4

Complete part number by selecting model and color options below.



L	Length & Function
10K	Tilt / swivel

K	Mounting Style
4	Wall (front) mount
6	Pole mount (Ø30mm Pole)

AV - B30 - L 2 K 3 - F

F	Color
50	Black
70	Silver
76	White

### Pole Mount Accessories

(Fits all AV-B30 K = 6 variants)

Note: this pole accessory is not compatible with AV-D series mounts

#### Part Number:

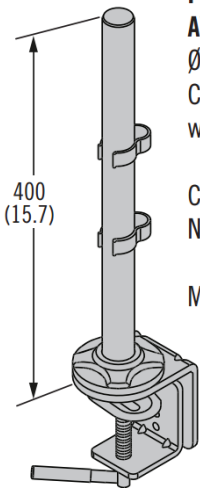
**AV-B30-40XC6- F**

Ø30mm Pole - clamp mount

Colour: silver (F=70), black (F=50), white (F=76)

Clamp around edge of table.  
No holes or damage to table.

Max table thickness 86 (3.38)



#### Part Number:

**AV-B30-40XG6- F**

Ø30mm Pole - grommet mount

Colour: silver (F=70), black (F=50), white (F=76)

Clamp through 12mm (1/2") hole in table.

Max table thickness 34 (1.33)

