

G388H Folding Hinge

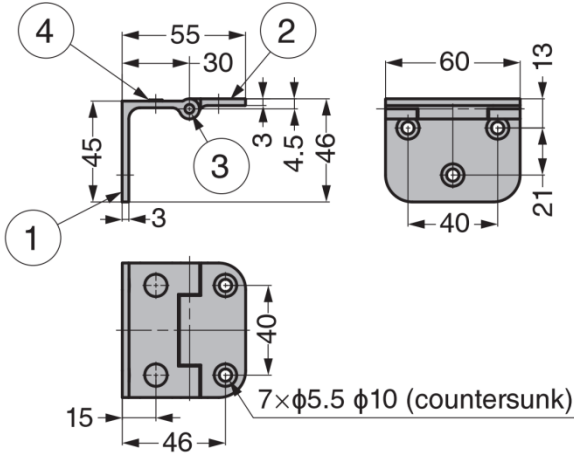
For bracket G388 series

Features

- For use with the folding brackets **G388-D** and **G388**
- Easy to find the right position for the hinges

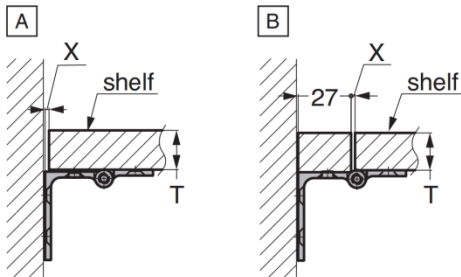
Parts Included

- Cross-recessed countersunk tapping screw 4.8 x 35 (3 pcs)
- Cross-recessed countersunk tapping screw 4.8 x 16 (4 pcs)



No.	Part Name	Material
①	Base	Aluminium Alloy
②	Bracket	
③	Shaft	Stainless Steel
④	Cap	Elastomer (TPE)

Installation Example



Thickness T and Clearance X

T	X
< 20	1
20 - 40	2

Part No.	Finish / Colour
G388H000	Silver Anodised
G388H001	Black Anodised