

Stainless Steel 316

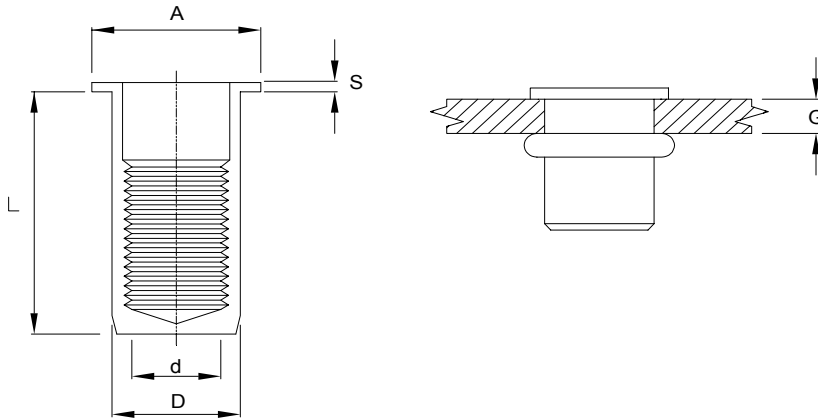
(contain Molybden)

Large Flange

Round Shank

Close End

High corrosion resistance



| THREAD SIZE (d) | GRIP RANGE (G) | | Drill hole (b) (+0.1) | PART NUMBER | BODY DIAMETER (D) | OVERALL LENGTH (L) | FLANGE DIAMETER (A) | LIP THICKNESS (S) |
|--------------------|-------------------|------|-----------------------------|-------------|-------------------------|--------------------------|---------------------------|-------------------------|
| | min. | max. | | | | | | |
| M5 | 0.5 | 3.0 | 7.0 | G55 180 | 7.0 | 17.5 | 10.0 | 1.0 |
| M6 | 0.5 | 3.0 | 9.0 | G56 100 | 9.0 | 21.5 | 12.0 | 1.5 |
| M8 | 0.5 | 3.0 | 11.0 | G58 065 | 11.0 | 23.5 | 15.0 | 1.5 |

Dimensions in millimetres

Other sizes available, please contact our Sales Engineers.

Gripwell Fastening & Engineering Pte Ltd

10 Upper Aljunied Link, #03-03, York Int'l. Bldg. Singapore 367904

Tel: (65) 6289 6011 Fax: (65) 6280 7877

Email : gripwell@singnet.com.sg

Website : <http://www.gripwell.com.sg>

Gripwell Malaysia:

Kuala Lumpur Office:

Email : gripwell@po.jaring.my

Tel: (603) 5511 3393 Fax: (603) 5511 3382

Gripwell Thailand:

Bangkok Office:

Email : gripwell@ksc.th.com

Tel: (662) 713 7612 Fax : (662) 719 5003

Gripwell Indonesia:

Jakarta Rep. Office

Email : gripwell@cbn.net.id

Tel: (6221) 588 2802 Fax: (6221) 588 2803