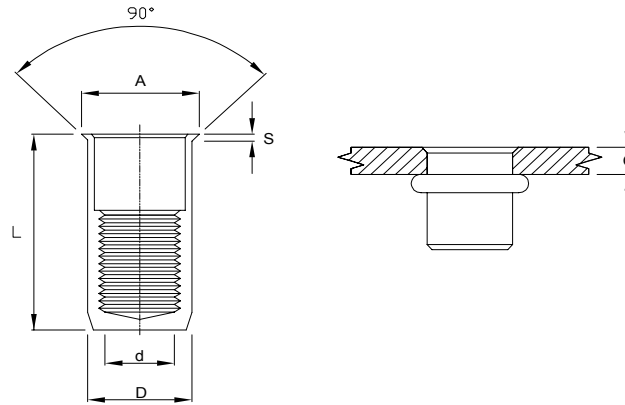


Stainless Steel 304

Low Profile
Round Shank
Closed End



| THREAD SIZE (d) | GRIP RANGE (G) | | DRILL HOLE (b) (+0.1) | PART NUMBER | BODY DIAMETER (D) | OVERALL LENGTH (L) | LIP DIAMETER (A) | LIP THICKNESS (S) |
|----------------------|---------------------|------|-------------------------------|-------------|---------------------------|----------------------------|--------------------------|---------------------------|
| | min. | max. | | | | | | |
| M4 | 0.5 | 2.0 | 6.0 | G44 250 | 6.5 | 15.5 | 6.5 | 0.5 |
| M5 | 0.5 | 3.0 | 7.0 | G45 450 | 7.0 | 18.0 | 7.5 | 0.5 |
| M6 | 0.5 | 3.0 | 9.0 | G46 450 | 9.0 | 21.5 | 9.5 | 0.5 |
| M8 | 0.5 | 3.0 | 11.0 | G48 190 | 11.0 | 24.0 | 11.5 | 0.5 |

Dimensions in millimetres

Other sizes available, please contact our Sales Engineers.

Gripwell Fastening & Engineering Pte Ltd

10 Upper Aljunied Link, #03-03, York Int'l. Bldg. Singapore 367904

Tel: (65) 6289 6011 Fax: (65) 6280 7877

Email : gripwell@singnet.com.sg

Website : <http://www.gripwell.com.sg>

Gripwell Malaysia:

Kuala Lumpur Office:

Email : gripwell@po.jaring.my

Tel: (603) 5511 3393 Fax: (603) 5511 3382

Gripwell Thailand:

Bangkok Office:

Email : gripwell@ksc.th.com

Tel: (662) 713 7612 Fax : (662) 719 5003

Gripwell Indonesia:

Jakarta Rep. Office

Email : gripwell@cbn.net.id

Tel: (6221) 588 2802 Fax: (6221) 588 2803