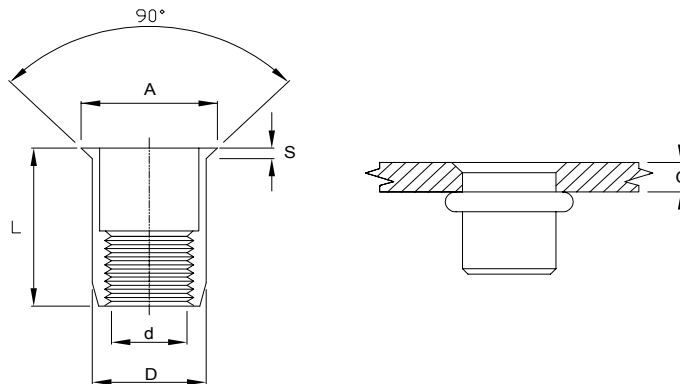


Stainless Steel 304

**Countersunk
Round Shank
Open End**



THREAD SIZE (d)	GRIP RANGE (G)		DRILL HOLE (b) (+0.1)	PART NUMBER	BODY DIAMETER (D)	OVERALL LENGTH (L)	LIP DIAMETER (A)	LIP THICKNESS (S)
	min.	max.						
M4	1.2	3.0	6.0	G44 120	6.0	12.0	8.0	1.0
M5	1.2	3.5	7.0	G45 200	7.0	12.0	9.0	1.0
M6	1.7	4.5	9.0	G46 125	9.0	17.0	12.0	1.5
M8	1.7	4.5	11.0	G48 070	11.0	17.5	14.0	1.5
	4.5	6.5		19.5				
M10	1.7	4.5	12.1	G40 090	12.0	20.0	15.0	1.5

Dimensions in millimetres

Other sizes available, please contact our Sales Engineers.

Gripwell Fastening & Engineering Pte Ltd

10 Upper Aljunied Link, #03-03, York Int'l. Bldg. Singapore 367904

Tel: (65) 6289 6011 Fax: (65) 6280 7877

Email : gripwell@singnet.com.sg

Website : <http://www.gripwell.com.sg>

Gripwell Malaysia:

Kuala Lumpur Office:

Email : gripwell@po.jaring.my

Tel: (603) 5511 3393 Fax: (603) 5511 3382

Gripwell Thailand:

Bangkok Office:

Email : gripwell@ksc.th.com

Tel: (662) 713 7612 Fax : (662) 719 5003

Gripwell Indonesia:

Jakarta Rep. Office

Email : gripwell@cbn.net.id

Tel: (6221) 588 2802 Fax: (6221) 588 2803