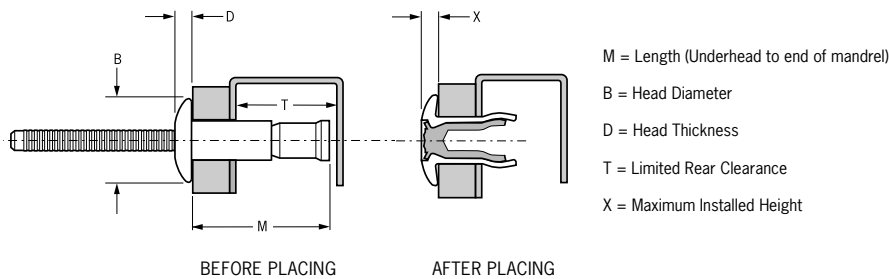


# Aluminium Alloy Body and Mandrel

Monobolt® 2774 - Protruding Head & Monobolt® 2764 - 100° Countersunk

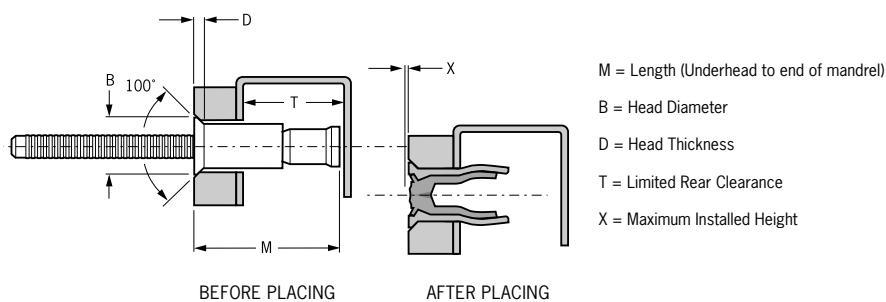
	Material	Finish
Body	Aluminium alloy (5% Mg) to BS 1473 5056A DIN 1725 Al Mg5 Werkstoff 3.3555	Polished
Mandrel	Aluminium alloy to BS 1473 2014A DIN 1725 Al Cu Si Mn Werkstoff 3.1255	Natural



## Dimensions & Performance Data

Fastener Size nom.	M max.	Grip Range		Part Number	B max.	D max.	T min.	X max.	(Typical Values)	
		min.	max.						Shear kN	Tension kN
<b>4.8</b> ( <sup>3</sup> / <sub>16</sub> " Ø  4.9 5.1	18.3	1.63	6.86	<b>02774-00613</b>	10.1	2.1	10.4	2.9	3.0	2.2
	24.0	1.63	11.10	<b>02774-00617</b>	10.1	2.1	13.0	2.9	3.0	2.2
<b>6.4</b> ( <sup>1</sup> / <sub>4</sub> " Ø  6.6 7.0	24.5	2.03	9.53	<b>02774-00817</b>	13.3	2.9	13.0	3.7	6.0	4.2
	34.7	2.03	15.87	<b>02774-00824</b>	13.3	2.9	18.0	3.7	6.0	4.2

Dimensions in millimetres



## Dimensions & Performance Data

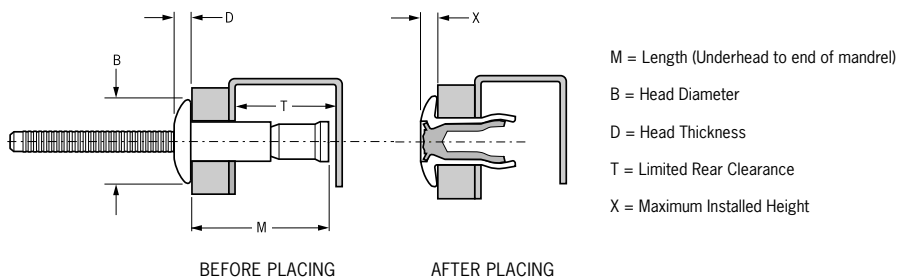
Fastener Size nom.	M max.	Grip Range		Part Number	B max.	D max.	T min.	X max.	(Typical Values)	
		min.	max.						Shear kN	Tension kN
<b>4.8</b> ( <sup>3</sup> / <sub>16</sub> " Ø  4.9 5.1	20.0	3.17	8.41	<b>02764-00615</b>	8.5	2.2	10.4	0.8	2.9	2.1
	26.2	3.17	12.22	<b>02764-00619</b>	8.5	2.2	13.5	0.8	2.9	2.1
<b>6.4</b> ( <sup>1</sup> / <sub>4</sub> " Ø  6.6 7.0	27.2	3.17	12.07	<b>02764-00821</b>	10.1	2.4	13.0	0.8	6.0	4.2

Dimensions in millimetres



# Steel Body and Mandrel

## Monobolt® 2771 - Protruding Head & Monobolt® 2761 - 100° Countersunk

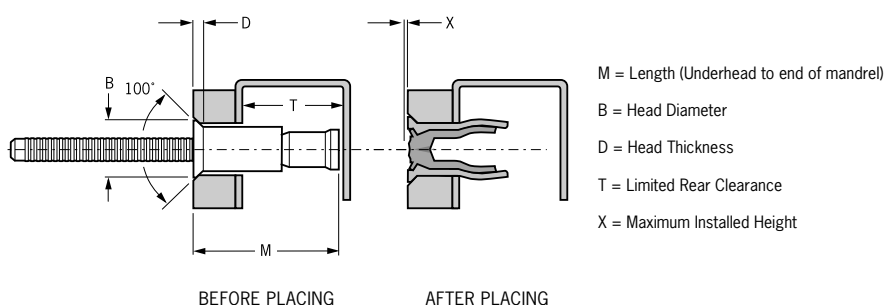
	Material	Finish
Body	Carbon steel to BS 3111 Type 9 SAE 10B21 DIN 1654 22B2	Zinc plated to BS EN 12329
Mandrel	Medium carbon steel to BS 3111 Type 1 SAE 10B38 DIN 1654 C38	Zinc plated and yellow passivated to BS EN 12329





### Dimensions & Performance Data

Fastener Size nom.	M max.	Grip Range		Part Number	B max.	D max.	T min.	X max.	(Typical Values)	
		min.	max.						Shear kN	Tension kN
<b>4.8</b> (3/16") 	18.2	1.63	6.86	<b>02771-00613</b>	10.1	2.1	10.4	2.9	6.4	5.1
	24.4	1.63	11.10	<b>02771-00617</b>	10.1	2.1	13.5	2.9	6.4	5.1
4.9 5.1										
<b>6.4</b> (1/4") 	23.7	2.03	9.53	<b>02771-00817</b>	13.3	2.9	12.2	3.7	11.7	10.4
	32.9	2.03	15.87	<b>02771-00824</b>	13.3	2.9	16.4	3.7	11.7	10.4
6.6 7.0										

Dimensions in millimetres



### Dimensions & Performance Data

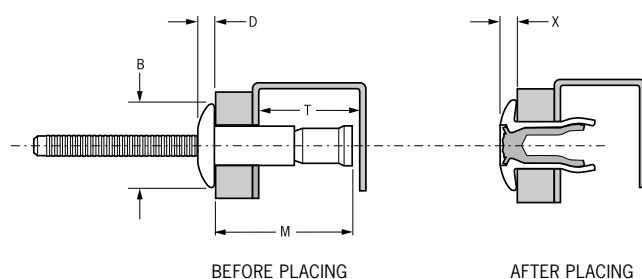
Fastener Size nom.	M max.	Grip Range		Part Number	B max.	D max.	T min.	X max.	(Typical Values)	
		min.	max.						Shear kN	Tension kN
<b>4.8</b> (3/16") 	20.0	3.17	8.41	<b>02761-00615</b>	8.5	2.2	10.4	0.8	6.4	5.1
	26.2	3.17	12.22	<b>02761-00619</b>	8.5	2.2	13.5	0.8	6.4	5.1
4.9 5.1										
<b>6.4</b> (1/4") 	26.3	3.17	12.07	<b>02761-00821</b>	10.1	2.4	12.2	0.8	11.7	10.4
	6.6 7.0									

Dimensions in millimetres





## Monobolt® 2711 - Protruding Head

	Material	Finish
Body	Austenitic stainless steel to BS 3111 394S17 Werkstoff 1.4567	Polished
Mandrel	Austenitic stainless steel to BS 3111 394S17 Werkstoff 1.4567	Natural



M = Length (Underhead to end of mandrel)  
 B = Head Diameter  
 D = Head Thickness  
 T = Limited Rear Clearance  
 X = Maximum Installed Height

### Dimensions & Performance Data

Fastener Size nom.	M max.	Grip Range		Part Number	B max.	D max.	T min.	X max.	(Typical Values)	
		min.	max.						Shear kN	Tension kN
<b>4.8</b> ( <sup>3</sup> / <sub>16</sub> " 	18.2	1.63	6.86	<b>02711-00613</b>	10.1	2.1	10.4	2.9	6.4	5.1
	24.4	1.63	11.10	<b>02711-00617</b>	10.1	2.1	13.5	2.9	6.4	5.1
4.9 5.1										
<b>6.4</b> ( <sup>1</sup> / <sub>4</sub> " 	23.7	2.03	9.53	<b>02711-00817</b>	13.3	2.9	12.2	3.7	11.7	10.4
	32.9	2.03	15.87	<b>02711-00824</b>	13.3	2.9	16.4	3.7	11.7	10.4
6.6 7.0										

Dimensions in millimetres